

M6 - M10

Speed Nut NT CC 41 HCP

Group: 1814

Application

In particular useful for installation in vertical channels or places of difficult access.

Further advantages:

- ◆ For all Sikla Channels MS 41, independent of the channel's height.
- ◆ No getting stuck on bolt heads when sliding in the channel.
- ◆ No appearance of settlement after tightening.

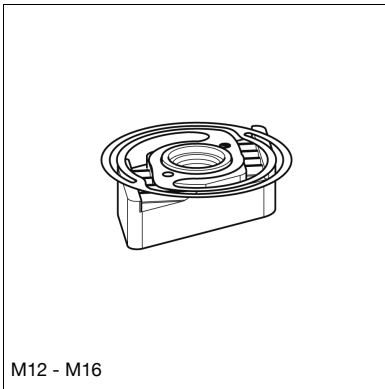
Scope of delivery

Channel Nut and Spring are tightly connected.

Installation

After inserting the Speed Nut into the channel opening, it is turned to the right as far as it will go by exerting slight pressure on it; deinstallation may be effected by following the instructions on the reverse order.

Installation and deinstallation do not require tools and may be repeated several times.



M12 - M16

Technical Data

	M6	M8	M10	M12
Tightening torque 8.8 ¹⁾ [Nm]	10	25	40	80

¹⁾ Using lower steel classes, the value are to be reduced accordingly.

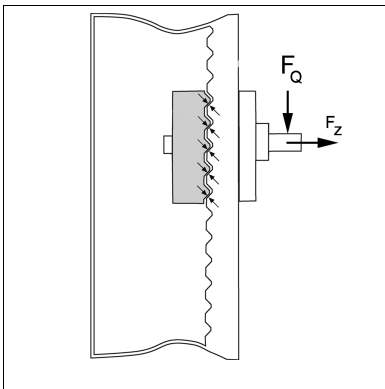
Channel thickness [mm]	M6	M8	M10	M12	M6	M8	M10	M12
	FZ ≤ [kN]	FZ ≤ [kN]	FZ ≤ [kN]	FZ ≤ [kN]	FQ ≤ [kN]	FQ ≤ [kN]	FQ ≤ [kN]	FQ ≤ [kN]
1.5	3.0	3.0	3.0	7.5	0.7	1.8	2.9	7.5
2.0	3.2	5.8	5.8	10	0.9	2.1	3.4	9
2.5	3.2	5.8	5.8	11	1.0	2.6	4.1	9
3.0	3.2	5.8	5.8	13	1.1	2.8	4.4	9

Note: The permissible load capacities of the channels are to be respected.

Material:

CC-Channel Nut: Steel, property class 5.6, HCP

Spring washer: Sheet metal spring steel, rustproof



Type	W [kg]	Quantity [pack]	Part number
CC 41-M6	0.03	50	198698
CC 41-M8	0.03	50	198650
CC 41-M10	0.03	50	186284
CC 41-M12	0.06	50	110015