

Channel Connector SK-L HCP

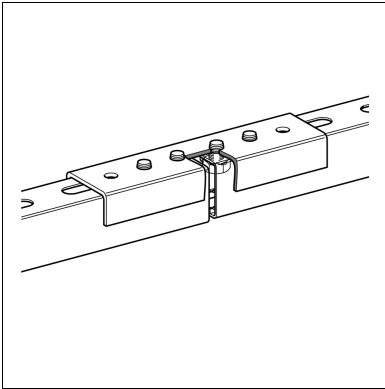
Group: 1853

Application

Element for connecting Channels. The multiple bearing of the Channel is to be secured. The Channel Connector should not to be used between the last two bearing points. In combination with Channels > 41/21 the admissible limit has to be respected.

Installation

Position the Channel Connector on the back of the channel and bolt together the channel ends (through the channel slots) by means of each two Self Forming Screws FLS F 80.



Technical Data

Max. adm. limit/ flexion: 300 Nm

Material: Steel, HCP

Type	For channel	Channel height h_{max} [mm]	Overall length [mm]	W [kg]	Quantity [pack]	Part number
SK-L	41	62	180	0.36	10	198971