

Aluminium Profiled Sheet Edge Clamp BFK

Group: E401

Application

Clamp for aluminum-profiled roof sheet to fix Channel 41.

Scope of delivery

Clamp with clamping screw and one hex-drive bit per packaging unit included.

Installation

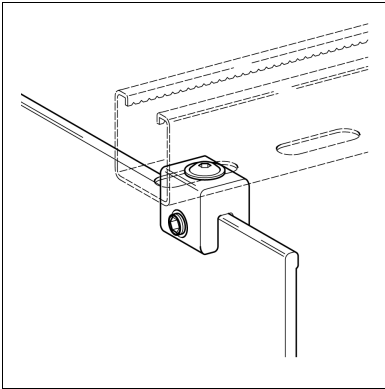
1. Position the clamp to the edge seam and tighten it up to 17 Nm.
2. Apply the channel and fix it with Flange Screw M10x15.

Technical Data

Max. perm. load vertical to the roof: 1.5 - 4.0 kN depending on the roof structure

Edge seam thickness: ≤ 7.0 mm

Material: Aluminium



Type	W [kg]	Quantity [pack]	Part number
BFK	0.06	90	198780