

Flange Screw SCR FLA HCP

Group: 1875

Application

The Flange Screws are self-forming screws. Type TT M10 x 60 is only suitable for connecting mounting rails ≤ 41 mm high with siFramo profiles.

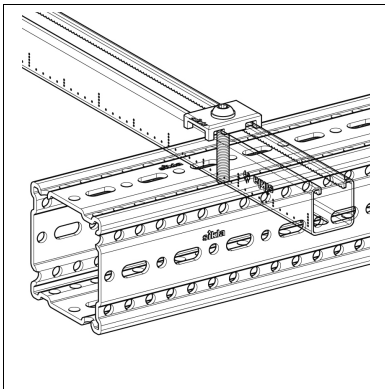
Installation

The maximum admissible tightening torque strictly has to be observed.

Technical Data

Max. adm. tightening torque: 20 Nm
 Drive: Torx-T50

Material: Steel, HCP



Type	Length [mm]	W [kg]	Quantity [pack]	Part number
TT M10 x 30	30	0.02	100	116479
TT M10 x 60	60	0.04	100	116817