

Roof Hook DH vario

Group: E401

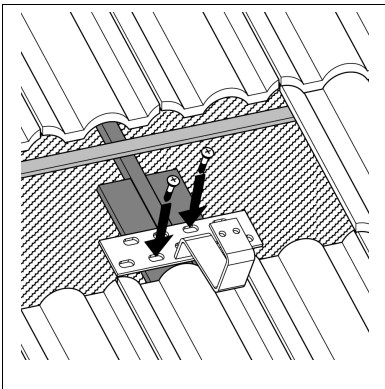
Application

Height-adjustable Roof Hook for roofs with variable rafter-distance. To provide a simple direct fixing of Channel 41 to the roof by means of one Self Forming Screw FLS. The height adjustment allows for an exact adjustment of uneven roof constructions. The large setting range allows the use of the Roof Hook even for roof tiles with deeper profile.

Installation

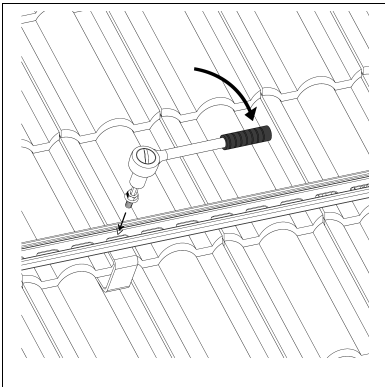
1. Remove roof tiles.
2. Position the hook where the trough of the tile was located. Position the base plate of the Roof Hook in full contact with the rafter. If needed auxiliary battens should be used for roof fixing.
3. Fix the Roof Hook with two Torx Flat Head Coach Screws FLAH 10 x 100.
4. Clear removed tiles from the respective area and put them back to their original position.
5. Fix the Channel 41 onto the Roof Hook through the slotted rear face of the profile with one Self Forming Screw FLS. For structures thicker than 45 mm, the Roof Hook could be shimmed.

In order to preserve the balanced loading of the roof we recommend this application to all rafters.



Technical Data

Base Plate: 220 x 60 x 5 mm
 Material Hook: 40 x 8 mm
 Stand-off distance: from trough tile 85 - 105 mm
 Max. perm. load: Fz = 2.0 kN, Fq = 1.0 kN
 Material: Steel, HCP or HDG



Type	W [kg]	Quantity [pack]	Part number
DH 45 vario	1.23	1	196779