

2G

Slide Set GS F 80 2G

Group: A436

Application

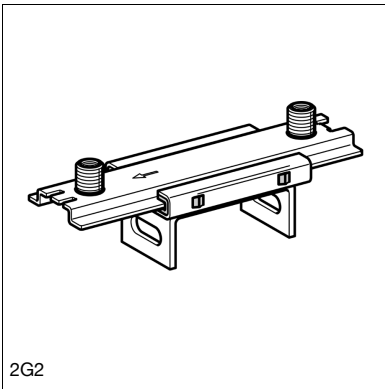
Pipe guide for twin-clamp connection designed to clutch the Beam Section F80 fixed by 2 x Self Forming Screws FLS.

Installation

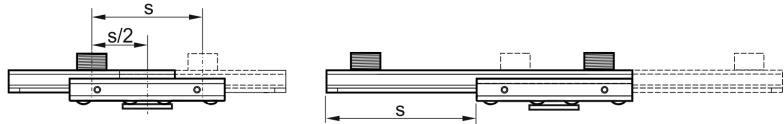
Pipe clamp connection points "2G" receive M10 studs or M16 by adapter connection.

Technical Data

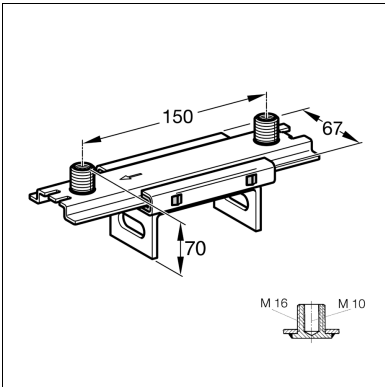
Type	a [mm]	b [mm]	c [mm]
GS F 80 2G2	150	67	70,0
GS F 100 2G2	150	67	75,5



2G2



Type	Max. lever arm [mm]	Max. glide path s [mm]
GS F 80 2G	150	100
GS F 80 2G2	150	135
GS F 100 2G2	150	135



Perm. load elevated position: 1,2 kN
 Perm. load suspended position: 0,6 kN
 Permanent temperature range: 130° C
 Static friction coefficient μ_0 : 0,20
 Sliding friction coefficient μ : 0,15

Material:
 Slide element: Steel, HCP
 Slide bar: Polyamide (glass-fibre reinforced)
 Retaining plate: Steel, HCP

Type	W [kg]	Quantity [pack]	Part number
GS F 80 2G	0.6	10	196700
GS F 80 2G2	0.7	10	196717