

Nail Anchor PN 27

Group: 1406

Application

Suitable for push-through mounting solutions for quick and safe fixation to concrete ceilings or walls in closed rooms - not suitable for damp locations.

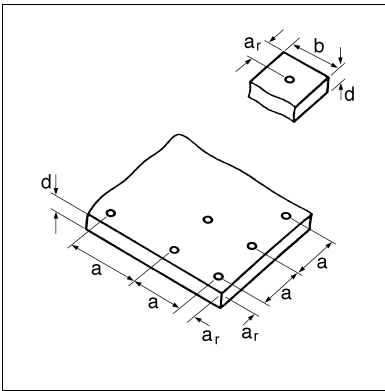
- ◆ Easy drilling (6 mm only) and simple impact mounting.

Installation

Setting Tool PN is most suited for mounting purposes.

Technical Data

Permissible load in the tensile zone [kN] for installation solutions in concrete \geq B25 acc. to approval)	2,4
Centre distance $a \geq$ [mm]	200
Edge distance $a_r \geq$ [mm]	150
Minimum thickness of component d [mm]	80
Diameter of drill d_0 [mm]	6
Depth of bore hole $h_0 \geq$ [mm]	40
Anchoring depth $h_{ef} \geq$ [mm]	32



The safety factor accord. to ETAG is respected. Values of the mentioned approval are valid.

Material: Steel, electro-galvanised

Approvals / Conformity

ETA-Approval: ETA-06/0259

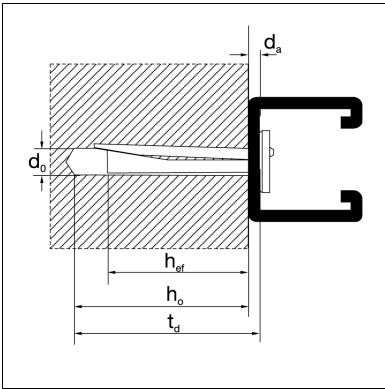
Approved in the tensile zone for multiple mounting solutions to concrete exposed to mainly dead static loading.

Permissible load fire resistance:

30 min. $N_{(30)}$	= 0,8 kN
60 min. $N_{(60)}$	= 0,7 kN
90 min. $N_{(90)}$	= 0,6 kN
120 min. $N_{(120)}$	= 0,4 kN

R30 to R120

Centre distance $a \geq$ [mm]	200
Edge distance $a_r \geq$ [mm]	150



Type	Length of dowel [mm]	Max. eff. length d_a [mm]	Bore depth when push-through mount. t_d [mm]	W [kg]	Quantity [pack]	Part number
PN 27 N6 x 35	39	5	40	0.01	100	196298