

Channel Lining SAL 27

Group: 2710

Application

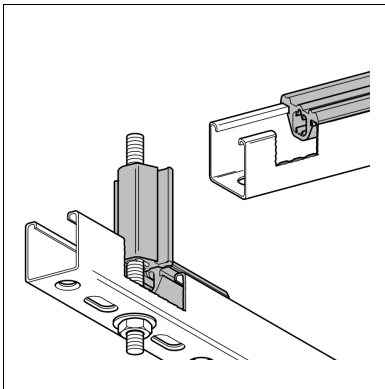
Sound absorption lining for inserting into Sikla Channels MS 27 or fitting around threaded rods; mainly for use in ducting systems, also for sound proof installations as per DIN 4109.

Scope of delivery

Rolls of 30 m or pieces of 100 mm each.

Technical Data

Material: SBR/EPDM, black
 Temperature range: -50°C up to +110°C
 Fire resistance: B2 according to DIN 4102, non-dripping
 Hardness: 50°+/-5° Shore



Type	Thread connection	Length of piece [mm]	Roll [m]	W [kg]	Quantity [pack]	Part number
27	M8/M10	-	30	6.00	1 Rolle	195963
27/L100	M8/M10	100	-	0.01	100	195970