

### Beam Clamp SB 27

Group: 2731

#### Application

Connecting element to fix Channel MS 27 to beam- and girder structures. Fixing to the channel regardless the orientation of channel opening or slotted side .

#### Scope of delivery

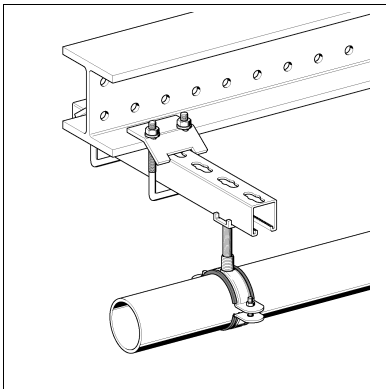
Completely pre-assembled with U-Bolt, Bracket and Flange Nut.

#### Installation

To be used in pairs only.

Tightening torque: 20 Nm

Length calculation = Beam/Girder flange thickness + min. 2 x 50 mm overhang.



#### Technical Data

Max. perm. load tension: 2.0 kN per Beam Clamp

Material: Steel, electro-galvanised

Type	Max. flange thickness [mm]	Thread	W [kg]	Quantity [pack]	Part number
27 - M8	25	M8	0.29	20	<b>195864</b>