

## Blockset PBS CC 27

Group: 2761

### Application

Quick-installation element for efficient mounting of pipe clamps and other components to Channels MS 27.

- ◆ Time-saving due to a pre-assembled Blockset consisting of 4 individual parts.
- ◆ Easy height adjustment within the channel.
- ◆ Retains position in horizontal and vertical channels during locational adjustment. But still can be moved easily and freely along the channel as required.
- ◆ Grooved rod, prevents unintended unscrewing.
- ◆ Easy cutting of the grooved rod - cutting grooves every 10 mm using Rod Cutter PBC 1.

### Scope of delivery

Completely pre-assembled (block with holding bracket, grooved rod and nut).

### Installation

Insert the Blockset into the channel, then tighten the nut to 10 Nm - That's it!

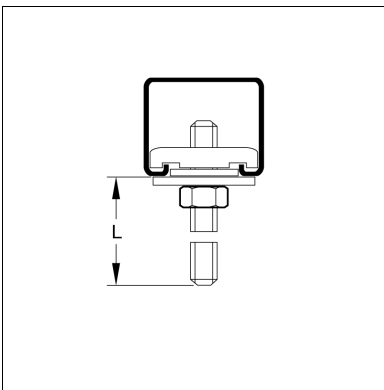
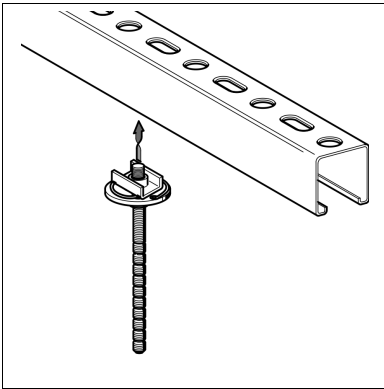
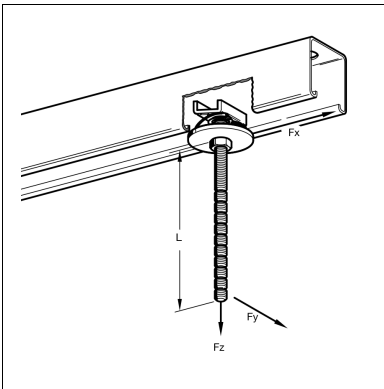
### Technical Data

Fz = 1,5 kN

Fx = 0,8 kN

Fy = Permissible lateral force at the end of the grooved rod

Material: Steel, electro-galvanised



Type	L [mm]	Fy [N]	W [kg]	Quantity [pack]	Part number
M8 x 35	35	75	0.03	100	<b>195888</b>
M8 x 75	75	35	0.05	100	<b>195895</b>
M8 x 125	125	20	0.06	50	<b>195901</b>
M8 x 175	175	-	0.08	50	<b>195918</b>
M8 x 275	275	-	0.11	50	<b>195925</b>