

Channel Lining SAL 41

Group: 1611

Application

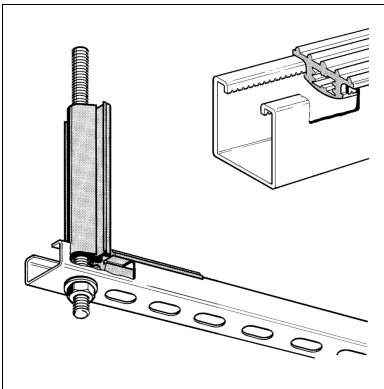
Sound Absorption Lining for inserting into Sikla Channels or fitting around threaded rods; mainly for use in ducting systems, also for sound proof installations as per DIN 4109.

Scope of delivery

Rolls of 30 m or pieces of 50 mm each.

Technical Data

Material: SBR/EPDM, black
 Temperature range: -40°C up to +110°C
 Fire resistance: B2 according to DIN 4102, non-dripping
 Hardness: 45°+/-5° Shore



Type	For Sikla Channel opening	Thread connection	Length of piece [mm]	Roll [m]	W [kg]	Quantity [pack]	Part number
41	22 mm	M8/M10	-	30	14.27	1 Rolle	101189
41/L50	22 mm	M8/M10	50	-	0.02	100	101204