

Sound Absorption Element SDE 41

Group: 1610

Application

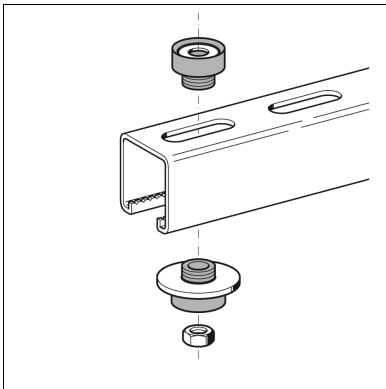
Sound Absorption Element for use in combination with Sikla Channels in ducting systems (suitable also for sound proof requirements according to DIN 4109).

Scope of delivery

With inserted and retained washer.

Technical Data

Material: TPE, black
 Max. admissible load: 0,3 kN
 Temperature range: -50°C up to +110°C
 Fire resistance: B2 according to DIN 4102, non-dripping
 Hardness: 50°+/-5° Shore



Type	For channel	Thread connection	Total-Height [mm]	Height of collar [mm]	W [kg]	Quantity [pack]	Part number
41	41	M8/M10	18	10	0.01	100	107802