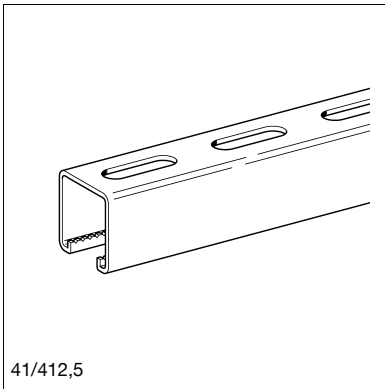
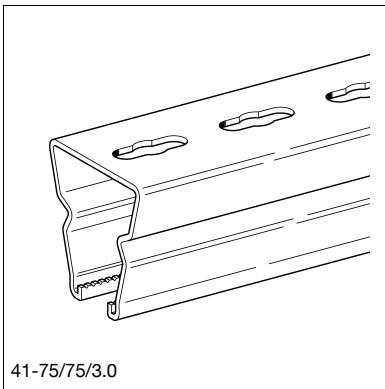


41/21/2,0



41/412,5



41-75/75/3,0

## Channel MS 41 HCP

Group: 1811

### Application

Element for easily and efficiently pre-assembling crossbars, wall brackets and supporting structures on construction sites or in workshops.

### Scope of delivery

Available as single or double channels.  
Double channels are joined together by clinching.

### Installation

All Channels MS 41 hcp are serrated inside and provide numerous combination options with other high corrosion protected system components.

### Technical Data

Material: Steel, HCP

D = Double channel

Type W/H/th [mm]	Section modulus [cm <sup>3</sup> ]	Moment of inertia [cm <sup>4</sup> ]	Radius of gyration [cm]
41/21/2.0	W <sub>y</sub> : 0.82	I <sub>y</sub> : 0.92	i <sub>y</sub> : 0.75
	W <sub>z</sub> : 2.11	I <sub>z</sub> : 4.32	i <sub>z</sub> : 1.64
41/31/2.0	W <sub>y</sub> : 1.61	I <sub>y</sub> : 2.55	i <sub>y</sub> : 1.10
	W <sub>z</sub> : 2.90	I <sub>z</sub> : 5.96	i <sub>z</sub> : 1.69
41/41/2.0	W <sub>y</sub> : 2.50	I <sub>y</sub> : 5.21	i <sub>y</sub> : 1.44
	W <sub>z</sub> : 3.65	I <sub>z</sub> : 7.48	i <sub>z</sub> : 1.73
41/41/2.5	W <sub>y</sub> : 2.94	I <sub>y</sub> : 6.17	i <sub>y</sub> : 1.44
	W <sub>z</sub> : 4.39	I <sub>z</sub> : 9.01	i <sub>z</sub> : 1.72
41/62/2.5	W <sub>y</sub> : 5.75	I <sub>y</sub> : 18.08	i <sub>y</sub> : 2.10
	W <sub>z</sub> : 6.29	I <sub>z</sub> : 12.91	i <sub>z</sub> : 1.77
41-75/75/3.0	W <sub>y</sub> : 10.29	I <sub>y</sub> : 44.30	i <sub>y</sub> : 2.53
	W <sub>z</sub> : 11.41	I <sub>z</sub> : 42.80	i <sub>z</sub> : 2.48
41/21/2.0 D	W <sub>y</sub> : 2.35	I <sub>y</sub> : 4.94	i <sub>y</sub> : 1.24
	W <sub>z</sub> : 4.22	I <sub>z</sub> : 8.65	i <sub>z</sub> : 1.64
41/41/2.5 D	W <sub>y</sub> : 8.96	I <sub>y</sub> : 36.73	i <sub>y</sub> : 2.46
	W <sub>z</sub> : 8.79	I <sub>z</sub> : 18.03	i <sub>z</sub> : 1.72
41-75/75/3.0 D	W <sub>y</sub> : 30.66	I <sub>y</sub> : 230.02	i <sub>y</sub> : 4.07
	W <sub>z</sub> : 22.83	I <sub>z</sub> : 85.60	i <sub>z</sub> : 2.48

Type W/H/th [mm]	Cross section A [cm <sup>2</sup> ]	Distance e [cm]	Max. point carrying capacity F <sub>max</sub> [kN]	Max. torsional moment M <sub>q</sub> [Nm]
41/21/2.0	1.60	1.11	4.0	44.5
41/31/2.0	2.08	1.58	4.0	44.5
41/41/2.0	2.48	2.07	4.0	44.5
41/41/2.5	3.03	2.09	6.0	44.5
41/62/2.5	4.08	3.14	6.0	44.5
41-75/75/3.0	6.92	4.30	10.0	44.5
41/21/2.0 D	3.20	2.10	4.0	44.5
41/41/2.5 D	6.06	4.10	6.0	44.5
41-75/75/3.0 D	13.84	7.50	10.0	44.5

Notice: All values take into account the perforation of the channels.  
For load charts, see chapter "Pressix CC 41".

### Approvals / Conformity



This product is has obtained the "RAL Gütezeichen Rohrbofestigung" and is subject to external surveillance according to RAL GZ-655.

\* = no RAL quality label

Type	Length [m]	Slot pattern	Weight [kg/m]	Qty. [m]	Part number
41/21/2.0	6	3	1.32	6	<b>193860</b>
41/31/2.0	6	3	1.64	6	<b>198896</b>
41/41/2.0	6	3	1.97	6	<b>196724</b>
41/41/2.5	6	3	2.36	6	<b>161497</b>
41/62/2.5	6	3	3.13	6	<b>199527</b>
41-75/75/3.0	6	4	5.68	6	<b>174008</b>
41/21/2.0 D *	6	3	2.64	6	<b>193884</b>
41/41/2.5 D *	6	3	4.74	6	<b>166748</b>
41-75/75/3.0 D *	6	4	11.24	6	<b>173981</b>