

Channel MS ss

Group: 1711

Application

Element for easily and efficiently pre-assembling crossbars, wall brackets and supporting structures on construction sites or in workshops.

They can be used as guide and support channels for slide applications by inserting the Slide Element 41 ss inside the channel.

Scope of delivery

Available as single or double channels. Double channels are joined together by clinching.

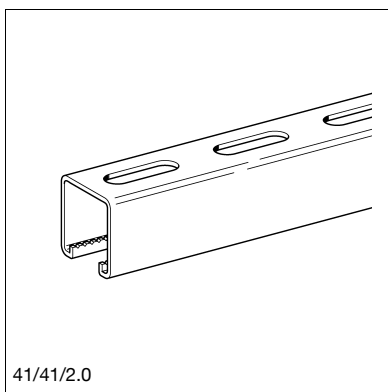
Installation

All channels of the 41 series are serrated inside and provide numerous combination options with other stainless steel system components.

Technical Data

Material: Stainless steel A4, group according to abZ Z-30.3-6 Annex 2

D = Double channel



Type W/H/Th [mm]	Section modulus [cm ³]	Moment of inertia [cm ⁴]	Radius of gyration [cm]
27/15/1.25	W _y : 0.25 W _z : 0.64	I _y : 0.20 I _z : 0.86	i _y : 0.54 i _z : 1.13
41/21/2.0	W _y : 0.82 W _z : 2.11	I _y : 0.92 I _z : 4.32	i _y : 0.75 i _z : 1.64
41/41/2.0	W _y : 2.50 W _z : 3.65	I _y : 5.21 I _z : 7.48	i _y : 1.44 i _z : 1.73
41/62/2.5	W _y : 5.75 W _z : 6.29	I _y : 18.08 I _z : 12.91	i _y : 2.10 i _z : 1.77
41/41/2.0 D	W _y : 7.49 W _z : 7.30	I _y : 30.73 I _z : 14.97	i _y : 2.48 i _z : 1.73
41/62/2.5 D	W _y : 18.16 W _z : 12.59	I _y : 112.63 I _z : 25.82	i _y : 3.71 i _z : 1.77

Type W/H/Th [mm]	Cross section A [cm ²]	Distance e [cm]	Max. point carrying capacity F _{max} [kN]	Max. torsional moment M _q [Nm]
27/15/1.25	0.67	0.80	1.5	10.0
41/21/2.0	1.60	1.11	4.0	44.5
41/41/2.0	2.48	2.07	4.0	44.5
41/62/2.5	4.08	3.14	6.0	44.5
41/41/2.0 D	4.96	4.10	4.0*	44.5
41/62/2.5 D	8.16	6.20	6.0*	44.5

All values in both tables refer to slotted channels. Load tables are to be seen in chapter "Pressix CC 27 resp. CC 41".

Type	Steel grade	Length [m]	Slot pattern	Weight [kg/m]	Qty. [m]	Part number
27/15/1.25	A4	2	1	0.59	2	112912
41/21/2.0	A4	6	3	1.32	6	110595
41/41/2.0	A4	2	3	1.97	2	195802
41/41/2.0	A4	6	3	1.97	6	195796
41/62/2.5	A4	6	3	3.13	6	173972
41/41/2.0 D	A4	6	3	3.94	6	195819
41/62/2.5 D	A4	6	3	6.27	6	174143