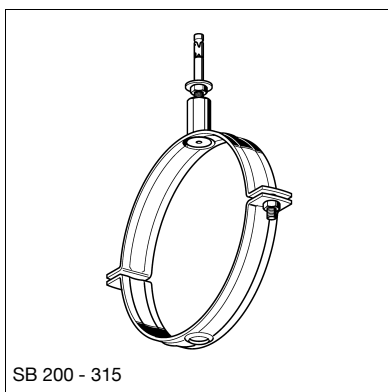


SB 40 - 160



SB 200 - 315

Standard Fastening BE

Application

Standard fastening for direct fixation to concrete.

Scope of delivery

Duo Clamp 2G without lining, with Drive Plug, Grub Screw, Washer and Hexagon Bolt M10, suitable for sizes 40 up to 125.

Pipe Clamp Stabil D-3G without lining with Bolt Anchor M10 and Round Rod Coupling R 1/2", suitable for sizes 160 up to 315.

Type	W [kg]	Quantity [pack]	Part number
SB 40 BE	0.13	1	602600
SB 50 BE	0.15	1	602610
SB 56 BE	0.15	1	602620
SB 63 BE	0.16	1	602630
SB 75 BE	0.22	1	602640
SB 90 BE	0.24	1	602650
SB 110 BE	0.26	1	602660
SB 125 BE	0.32	1	602670
SB 160 BE	0.42	1	602680
SB 200 BE	1.17	1	602690
SB 250 BE	1.37	1	602700
SB 315 BE	2.04	1	602710