

T-Adapter TA 120

Application

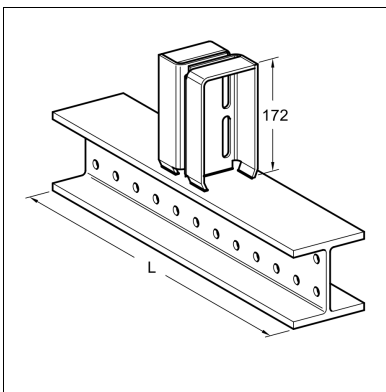
In combination with Beam Bracket TKO 120, the T-Adapter permits different T-structures on the floor or hanging T-structures without need of further accessories. Oblong holes permit a simple compensation up to 50 mm on structural situations.

Scope of delivery

- T-Adapter TA 120
- Accessories:
- 4 Hexagon bolts M12 x 40
- 4 Hexagon nuts M12
- 8 Washers

Technical Data

- Configuration: Beam section 120 welded to beam holder
- Material:
- TA 120: Steel, HCP
- Bolts: Steel, HCP
- Nuts: Steel, class 8, HCP
- Washers: Steel, HCP



| Type | L [mm] | W [kg] | Quantity [pack] | Part number |
|--------------|--------|--------|-----------------|---------------|
| TA 120 x 200 | 200 | 8.1 | 1 | 193112 |
| TA 120 x 400 | 400 | 14.0 | 1 | 193129 |
| TA 120 x 600 | 600 | 19.0 | 1 | 193136 |

