

U Bolt Fastening UB F

Group: A430

Application

U Bolt Fastening to connect standard U-Bolts required for pipework to the supporting Beam Sections, Cantilever Brackets and Beam Brackets F80 or F100.

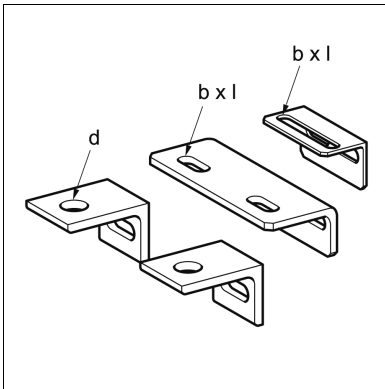
Scope of delivery

For U-bolts $\geq 4''$ always 2 U-bolt fastenings F are needed.

Technical Data

Typ	d [mm]	b x l [mm]	B [mm]
UB F 1/2" - 1 1/2"	-	65 x 11	85
UB F 2" - 3"	-	20 x 13	165
UB F 4" - 6"	17	-	45
UB F 8" - 12"	22	-	45
UB F 378 - 530	26	-	45

Material: Steel, HCP or hot-dipped galvanised



Type	W [kg]	Quantity [pack]	Part number
UB F 1/2" - 1 1/2"	0.13	25	192931
UB F 2" - 3"	0.44	10	196212
UB F 4" - 6"	0.18	20	113124
UB F 8" - 12"	0.18	20	113125
UB F 378 - 530	0.18	20	113126

