

End Cap ADK F 80

Group: A430

Application

Plastic end cap to close cut ends of Beam Section F80 to meet both visual and health & safety requirements. Standard Cantilever- and Beam Brackets (AK F80 and TKO F80) already include this end cap.

Technical Data

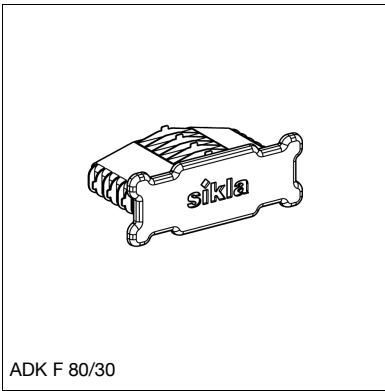
Material: PP, yellow, bedingt witterungsbeständig

Approvals / Conformity



epd

NEPD-4539-3797-EN



ADK F 80/30

Type	W [kg]	Quantity [pack]	Part number
ADK F 80	0.03	25	192674
ADK F 80/30	0.02	25	113067

