

SB F 80-16

U-Holder SB F 80

Group: A439

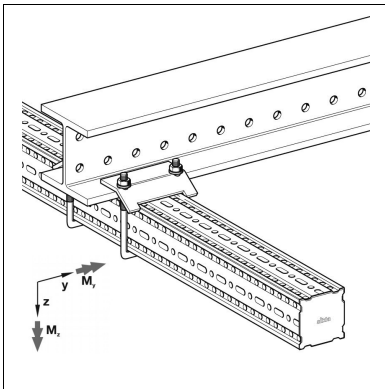
Application

Pre-assembled component to clamp Beam Section F 80 to the flange side of traditional steel sections.

Scope of delivery

Type SB F 80-16:
Holder with thread M10
Plate
2 Hexagon nuts M10
2 Washers

Type SB F 80-40:
Holder with thread M12
Plate
2 Beam Clips SPA 5P AU
2 Hexagon nuts M12



Installation

U-holder to be used in pairs.
Type 16 up to flange thickness 16 mm
Type 40 up to flange thickness 40 mm

Technical Data

Type	Thread	Tightening torque [Nm]	F _z per U-Holder [kN]	F _y [kN]	M _y [kNm]	M _z [kNm]
SB F 80-16	M10	40	9.5	*	*	*
SB F 80-40	M12	85	16	*	*	*
SB F 80/30-16	M10	40	9.5	*	*	*
SB F 80/30-40	M12	85	16	*	*	*

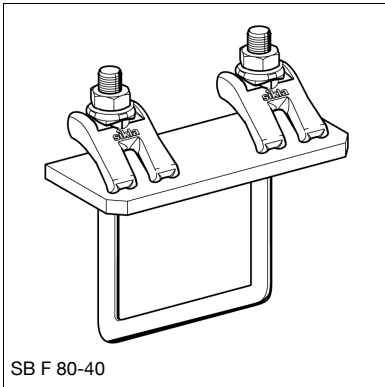
* Please compare the suitable type's dimensions by means of the Simotec user guideline to get the permissible lateral forces and torques.

Material: Steel, FK 8.8, HCP

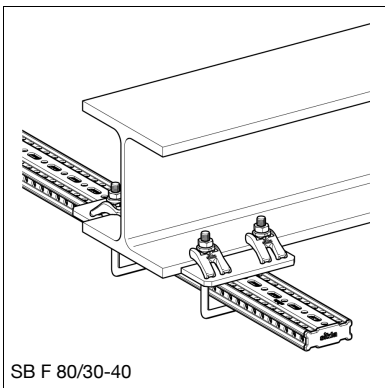
Approvals / Conformity



NEPD-4539-3797-EN



SB F 80-40



SB F 80/30-40

Type	W [kg]	Quantity [pack]	Part number
SB F 80-16	0.6	20	192683
SB F 80-40	1.4	10	194010
SB F 80/30-16	0.5	20	115840
SB F 80/30-40	1.4	10	115839