

Beam Bracket TKO F 80

Group: A423

Application

Galvanised hollow-box-section with welded end-plate to serve as cantilever arm. May be used as a crossbar when combined with End Support STA/End Support WBD and 4 x Self Forming Screw FLS .

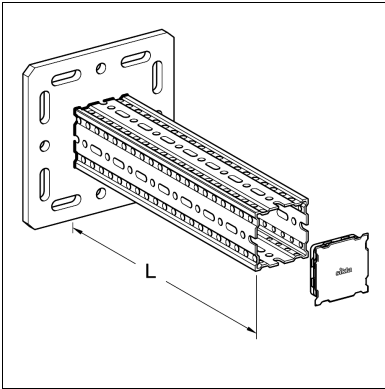
Scope of delivery

With pre-assembled End Cap ADK F 80.

Installation

Depending on the situation, different options are recommended:

- a) Directly to building structure: 4 x suitable wall anchors
- b) To traditional steel beams between 80 – 120 mm flange dimensions: 1x Assembly Set 5P M12 S
- c) To traditional steel beams > 120 flange dimension: with on-demand Adaptor Plate (tbc)
- d) To Sikla Simotec Steel Beams 100/120: with Bracket Plates FV 100/120 when positive mechanical connection required



Technical Data

Type	L [mm]	Dimensions of base plate [mm]	Slots in base plate for
TKO F80-400	400	220 x 220 x 12	M12
TKO F80-800	800	220 x 220 x 12	M12

Configuration Base plate welded to Beam Section TP F 80

Material:

Base plate: Steel, HCP

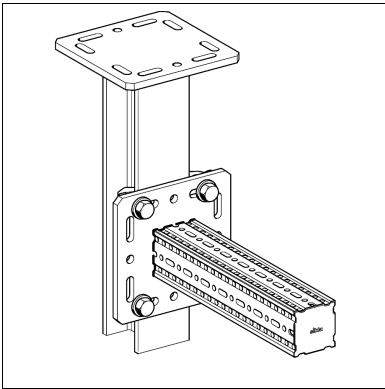
Beam Section: Steel, HCP

Approvals / Conformity

CE mark (Declaration of performance see www.sikla.com/service/downloads)
MPA tested



NEPD-4539-3797-EN



Type	W [kg]	Quantity [pack]	Part number
TKO F 80-400	6.6	1	192788
TKO F 80-800	9.2	1	192795