

### Cantilever Bracket AK F 80

Group: A420

#### Application

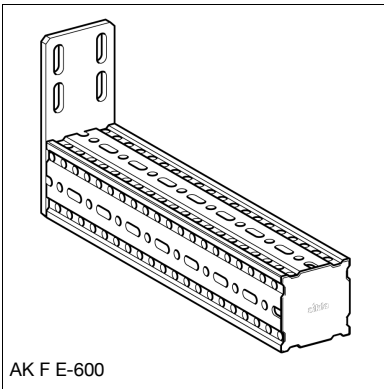
Galvanised hollow-box-section with welded end-plate to serve as cantilever arm. May be used as a crossbar when combined with End Support STA and 4 x Self Forming Screw FLS. By means of the round holes in the base plate a direct connection to existing cast-in channels is possible.

#### Scope of delivery

With pre-assembled End Cap ADK F 80

#### Installation

With 4 x Self Forming Screw FLS when fixed to another siFramo hollow-box-section. Alternatively with two suitable wall anchors through holes "A" when fixed directly to building structure.



AK F E-600

#### Technical Data

Type	L [mm]	Dimensions of base plate [mm]	Slotted holes base plate [mm]	A [mm]
AK F 80-400	400	190 x 80 x 8	20 x 11	14
AK F 80-800	800	190 x 80 x 8	20 x 11	14
AK F 80-E-600	600	165 x 80 x 8	20 x 11	-

Configuration: Plate welded to Beam Section TP F 80

Material:

Plate: Steel, HCP

Beam Section: Steel, HCP

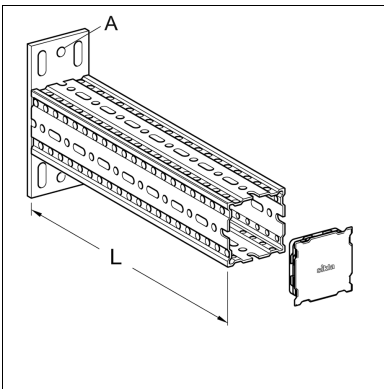
#### Approvals / Conformity

CE mark (Declaration of performance see [www.sikla.com/downloads](http://www.sikla.com/downloads))  
ETA-24/0471



epd

NEPD-4539-3797-EN



Type	W [kg]	Quantity [pack]	Part number
AK F 80-400	3.4	1	<b>192764</b>
AK F 80-800	5.8	1	<b>192771</b>
AK F 80-E-600	4.5	1	<b>110370</b>

