

Beam Section TP F 80

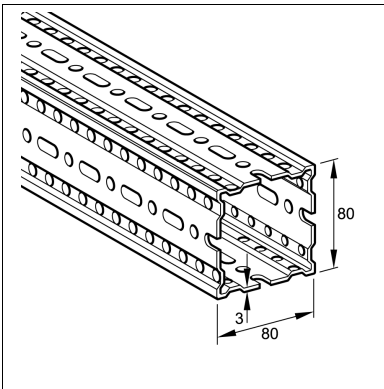
Group: A410

Application

Galvanised hollow-box-section for fabrication of steel frames. Designed for both simple two-dimensional supports and complex volumetric arrangements. Holes designed to receive Self Forming Screw FLS in conjunction with the relevant component.

Technical Data

| Type | Section modulus [cm ³] | Moment of inertia [cm ⁴] | Radius of inertia [cm] | Torsional moment It [cm ⁴] | Cross section A [cm ²] |
|------------|------------------------------------|--------------------------------------|------------------------|--|------------------------------------|
| TP F 80 | Wy: 15.83 Wz: 15.83 | Iy: 62.47 Iz: 62.47 | iy: 3.58 iz: 3.58 | 48.40 | 4.85 |
| TP F 80/30 | Wy: 10.38 Wz: 4.78 | Iy: 35.40 Iz: 6.74 | iy: 3.63 iz: 1.58 | 8.58 | 2.69 |



Mechanical properties shown above take into account perforations.

The specific values are effective values established by tests, geometrical quantities (analytically determined) can be significantly higher.

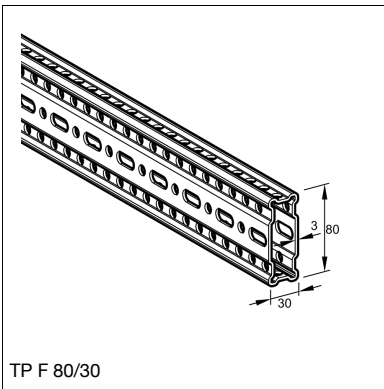
Material: Steel, hcp

Approvals / Conformity

CE mark (Declaration of performance see www.sikla.com/service/downloads)



NEPD-4539-3797-EN



TP F 80/30

| Type | Weight [kg/m] | Qty. [m] | Part number |
|------------|---------------|----------|---------------|
| TP F 80 | 6.4 | 6 | 192539 |
| TP F 80/30 | 4.3 | 6 | 113407 |

