

Sound Absorption Element GMT M8

Group: 1610

Application

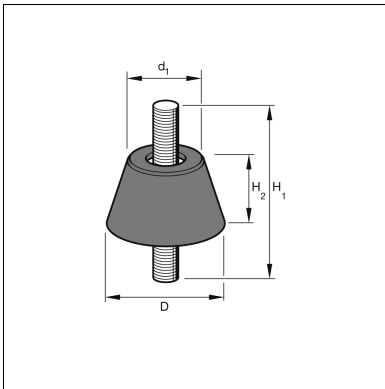
The rubber element suppresses vibrations generated by the system (such as motors, boilers, pumps, air conditioners, etc.) are normally transmitted as sound to the environment via rigid building structures.

Scope of delivery

1 box = 400 pieces

Technical Data

Typ	Max. permissible load (tension)
M8	0.2



Type	Thread [mm]	D [mm]	de ₁ [mm]	H ₁ [mm]	H ₂ [mm]	W [kg]	Quantity [pack]	Part number
GMT M8	M8	40	26	63	24	0.05	400	192584