

Angle Connector EV CC 41-2

Group: 1352

Application

Pre-assembled connecting element for three-dimensional frame structures, optimised for linking channels of the 41 series at an angle of 90°. Preferably used in combination with 41/41 square channels. Version W is used for connection to wall, floor or ceilings. The adjustment for the channel opening could still be chosen.

- ◆ Fast-Technique for 90° joints of Channel System 41
- ◆ Locks automatically when being put in place and supports its own weight.
- ◆ Secure, form-locking, non-positive connection. Serrated Channel Nut with Hexagon Bolt M10.
- ◆ Ideal shaping for high stiffness.
- ◆ The proven Sikla rhomb guarantees a secure torque and preload force.

Installation

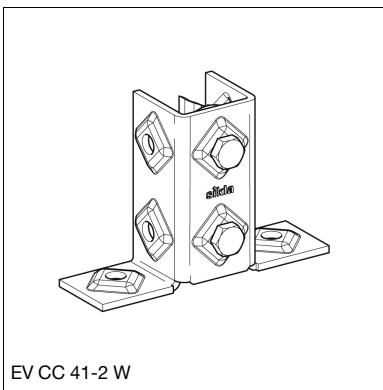
To be used in pairs.

Technical Data

Max. per. working load: $F_z = 5 \text{ kN}$
 $- F_z = 10 \text{ kN}$

Tightening torque: 50 Nm

Material: Steel, electro-galvanised



Type	W [kg]	Quantity [pack]	Part number
EV CC 41-2	0.70	10	117456
EV CC 41-2 W	0.58	10	117458

