

### End Support STA F 100-80-E 45°

Group: A822

#### Application

The End Support STA F 100-80-E 45° is designed to generate a 45° bracing element in combination with F100 Beam Sections or F100 Cantilever Brackets.

#### Installation

Depending on the situation on site there are two options to use this product:

- Connection within the siFramo system by connecting with 4 FLS screws to each beam section F100.
- Connection to building fabric by using 2 suitable wall anchors in diagonal configuration.

#### Technical Data

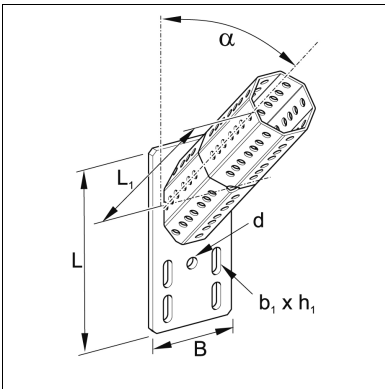
Type	L [mm]	B [mm]	L <sub>1</sub> [mm]	d [mm]	b <sub>1</sub> [mm]	h <sub>1</sub> [mm]	α [°]
STA F 100-80-E 45°	210	100	244.5	14	11	20	45

Configuration: Base Plate welded to octagonal F 80

Material: Steel, HCP

#### Approvals / Conformity

CE-mark (Declaration of performance [www.sikla.com/downloads](http://www.sikla.com/downloads))



Type	W [kg]	Quantity [pack]	Part number
STA F 100-80-E 45°	2.4	1	<b>406002</b>

