

End Support STA F 160-Q

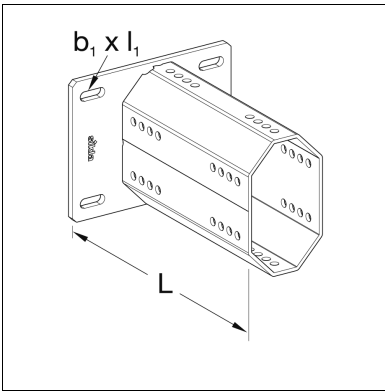
Group: A822

Application

Plug-in component designed to create an endplate at the open end of a Beam Section TP F 100/160.

Installation

For the connection to Beam Section TP F 100/160 (flange side 160) 4 Self Forming Screws FLS F are necessary. The Beam Section TP F 100/160 connected to the End Support STA F 160-Q has to be screwed with 8 Self Forming Screws FLS F. On each of the broader sides 4 Self Forming Screws FLS F are necessary. Fixing to walls and ceilings with suitable wall anchors M10.



Technical Data

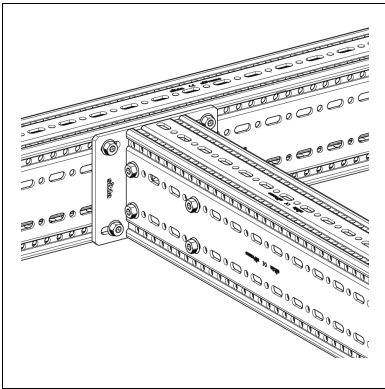
Type	Dimensions of base plate [mm]	L [mm]	b ₁ x l ₁ [mm]
STA F 160-Q	160 x 200	230	11 x 20

Configuration: Base plate welded to octagonal F 100/160

Material: Steel, HCP

Approvals / Conformity

CE-mark (Declaration of performance see www.sikla.com/downloads)
ETA-24/0471



Type	W [kg]	Quantity [pack]	Part number
STA F 160-Q	4.8	1	117147

