

End Support STA F 160-100-E

Group: A822

Application

Plug-in component designed to create an end plate at the open end of a Beam Section TP F 100/160.

Installation

For the connection to Beam Section TP F 100/160 (flange side 160) 4 Self Forming Screws FLS F are necessary. The Beam Section TP F 100 connected to the End Support STA F 160-100-E has to be screwed with 4 Self Forming Screws FLS F. On each of the broader sides 2 Self Forming Screws FLS F are necessary. Fixing to walls and ceilings with suitable wall anchors M10.

Technical Data

Type	Dimensions of base plate [mm]	L [mm]	b ₁ x l ₁ [mm]
STA F 160-100-E	160 x 200	180	11 x 20

Configuration: Base plate welded to octagonal F 100

Material: Steel, HCP

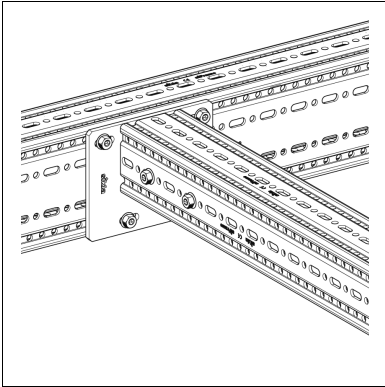
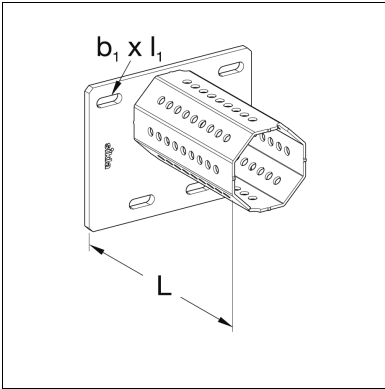
Approvals / Conformity

CE-mark (Declaration of performance see www.sikla.com/downloads)
ETA-24/0471



epd

NEPD-4539-3797-EN



Type	W [kg]	Quantity [pack]	Part number
STA F 160-100-E	3.1	1	116875

