

End Support STA F 160-100-E

Group: A822

Application

Plug-in component designed to create an end plate at the open end of a Beam Section TP F 100/160.

Installation

For the connection to Beam Section TP F 100/160 (flange side 160) 4 Self Forming Screws FLS F are necessary. The Beam Section TP F 100 connected to the End Support STA F 160-100-E has to be screwed with 4 Self Forming Screws FLS F. On each of the broader sides 2 Self Forming Screws FLS F are necessary. Fixing to walls and ceilings with suitable wall anchors M10.

Technical Data

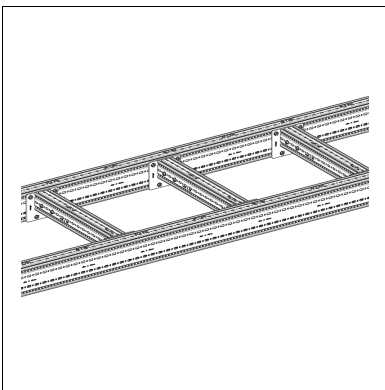
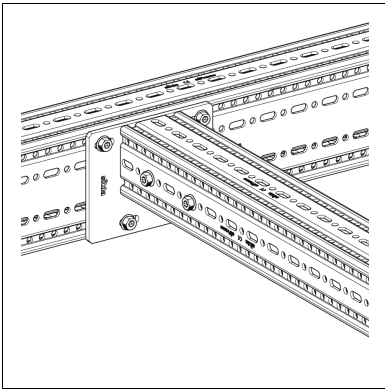
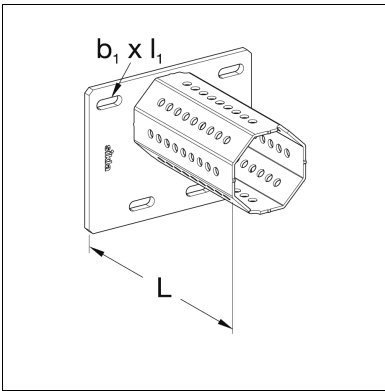
| Type | Dimensions of base plate [mm] | L [mm] | b ₁ x l ₁ [mm] |
|-----------------|-------------------------------|--------|--------------------------------------|
| STA F 160-100-E | 160 x 200 | 180 | 11 x 20 |

Configuration: Base plate welded to octagonal F 100

Material: Steel, HCP

Approvals / Conformity

CE-mark (Declaration of performance see www.sikla.com/downloads)



epd

NEPD-4539-3797-EN

| Type | W [kg] | Quantity [pack] | Part number |
|-----------------|--------|-----------------|---------------|
| STA F 160-100-E | 3.1 | 1 | 116875 |