

Cantilever Bracket AK F 160-100-E

Group: A820

Application

Galvanised hollow-box-section with welded end-plate to serve as cantilever arm for Beam Section TP F 100/160 (flange side 160) or Beam Bracket TKO F 100/160.

Installation

With 4 x Self Forming Screw FLS when fixed to another siFramo 100/160 (flange side 160) hollow- box- section. Fixing to walls and ceilings with suitable wall anchors M10.

Technical Data

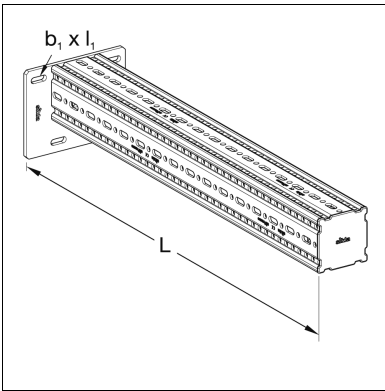
Type	Dimensions of base plate [mm]	L [mm]	b ₁ x l ₁ [mm]
AK F 160-100-E-800	160 x 200	800	11 x 20
AK F 160-100-E-1200	160 x 200	1200	11 x 20

Configuration: Plate welded with Beam Section F 100

Material: Steel, HCP

Approvals / Conformity

CE-mark (Declaration of performance see www.sikla.com/downloads)



Type	W [kg]	Quantity [pack]	Part number
AK F 160-100-E-800	10.9	1	117145
AK F 160-100-E-1200	15.4	1	117146

