

Corner Bracket WD F 80

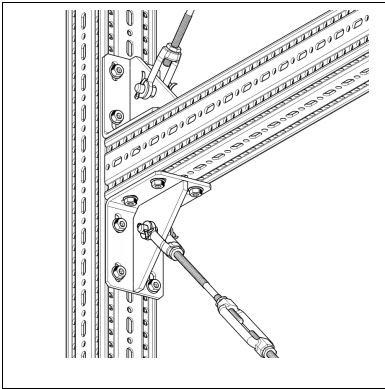
Group: A430

Application

Component to be used for connections between two F 80 sections when the structural design requires an alternative to the End Support STA F 80 as the default solution. Connections with the Corner Bracket WD F 80 allow flexible constructions and provide a high load capacity at the same time. The central hole allows for the integration of diagonal cross-bracing allowing more complex structures to be made.

Installation

To be used in pairs only. 8 pieces of Self Forming Screw FLS are necessary for one Corner Bracket.



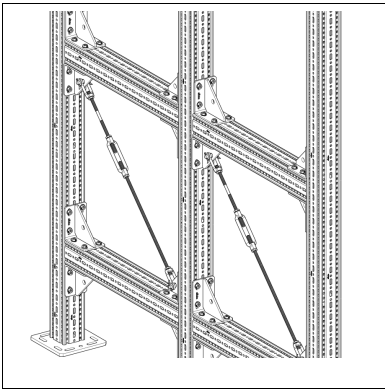
Technical Data

Type	max. tensile load boring [kN]
WD F 80 120/120	45.3

Material: Steel, HCP

Approvals / Conformity

CE-mark (Declaration of performance see www.sikla.com/downloads)
ETA-24/0471



Type	W [kg]	Quantity [pack]	Part number
WD F 80 120/120	1.5	1	117153