

End Support STA F 80/30-Q

Group: A422

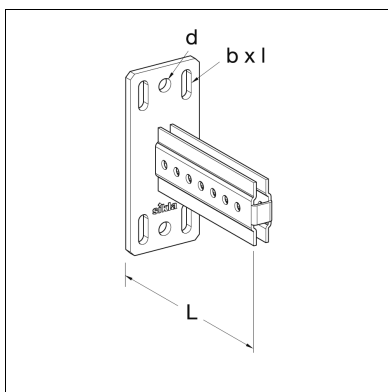
Application

Plug-in component designed to create an endplate at the open end of a Beam Section TP F 80 or TP F 80/30. A connection to Cantilever brackets AK F 80 or AK F 80/30 can also be realised e.g. for cable trays and downpipes.

Installation

Depending on the situation, different options are recommended:

- a) With 2 x 4 Self Forming Screws FLS when used to connect 2 Beam Sections.
- b) With 4 Self Forming Screws FLS applied to the insert and 2 suitable M12 wall anchors/fixings when connected to the building structure.



Technical Data

Type	Dimensions of base plate [mm]	L [mm]	d [mm]	b ₁ x l ₁ [mm]
STA F 80/30	190 x 80 x 8	169	14	11 x 20

Material: Steel, HCP

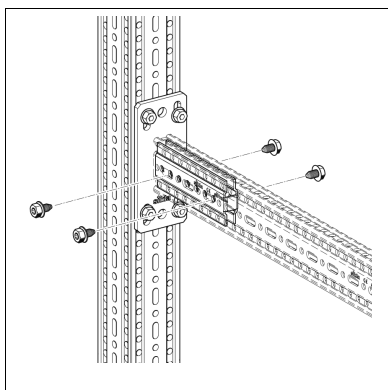
Approvals / Conformity

CE-mark (Declaration of performance see www.sikla.com/downloads)
ETA-24/0471



epd

NEPD-4539-3797-EN



Type	W [kg]	Quantity [pack]	Part number
STA F 80/30-Q	1.4	1	117294