

Assembly Group BG48 MS41-1/2"

Group: 1102

Application

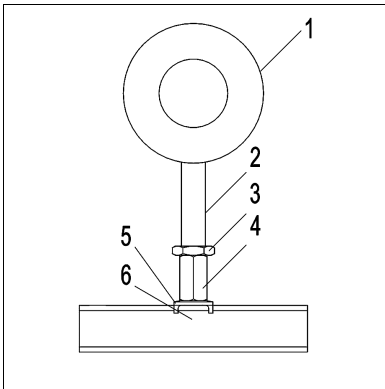
An Assembly Group containing components to make up a permanent pipe connection with the insulated Chilled Water Clamp RB for chiller plants and cool water systems. The Assembly Group is designed for use with the Sikla 41 channel system. The height is adjusted via the Threaded Tube 1/2".

Scope of delivery

Each Assembly Group is pre-assembled, packed and labeled.

Parts list:

Item 1 Chilled Water Clamp RB
 Assembly Kit MKit MS41 1/2" consists of:
 Item 2 Threaded Tube 1/2" x 200
 Item 3 NT 1/2" locking nut
 Item 4 Adapter AD IG/IG 1/2"/M16
 Item 5 Holding Bracket HK 41/16
 Item 6 T-Head Bolt TBO HZ41 M16 x 25



Installation

The assembly of the individual components to form an Assembly Group is carried out during the course of pipe installation on the construction site.

Technical Data

$L_{\max, \text{vertical}} = 200 \text{ mm}$

$L_{\max, \text{horizontal}} = \text{not recommended}$

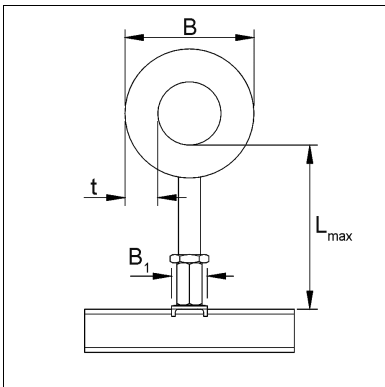
Material:

Connecting parts: Steel, HCP

Bolts and nuts: Steel, HCP

Insulating body: PUR foam (250 kg/m³, B2), $\mu = 1200$
 $\lambda = 0,045 \text{ W/mK (0°C)}$

Area of use: -50°C to +105°C



Type	Nominal widths [DN]	B ₁ [mm]	B [mm]	t [mm]	W [kg]	Quantity [pack]	Part number
21/30	15	35	81	30	1.82	1	113904
27/30	20	35	87	30	1.82	1	113905
33/30	25	35	93	30	1.83	1	113906
42/30	32	35	102	30	1.84	1	113907
48/30	40	35	108	30	1.84	1	113908
60/30	50	35	120	30	1.93	1	113909
76/30	65	35	136	30	1.05	1	113910
89/30	80	35	149	30	1.10	1	113911
114/40	100	35	195	40	1.68	1	113912