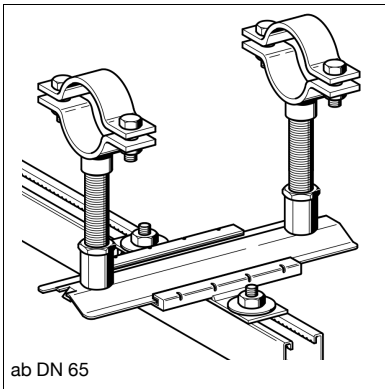
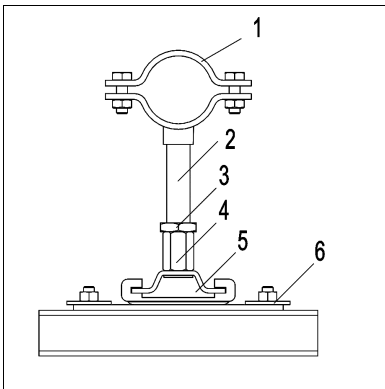


bis DN 50



ab DN 65



Assembly Group BG13 MS41-1/2"

Group: 1102

Application

An Assembly Group for use as a guided support with the heavy Pipe Clamp Stabil I-1/2". The Assembly Group is designed for use with the Sikla 41 channel system. The height is adjusted via the Threaded Tube 1/2".

Scope of delivery

Each Assembly Group is pre-assembled, packed and labeled.

Parts list:

Item 1 Pipe Clamp Stabil I-1/2"

Assembly Kit MKit FR MS 41 S 1/2" consists of:

Item 2 Threaded Tube GR 1/2" x 200

Item 3 Locking Nut NT G 1/2"

Item 4 Adapter AD IG/IG 1/2" / 1/2"s

Item 5 Slide Set GS H3G-PL / Slide Set GS H3G2-PL

Item 6 T-Head Bolt TBO HZ41 M10 x 20

Installation

The assembly of the individual components to form an Assembly Group is carried out during the course of pipe installation on the construction site.

Technical Data

L_{max, vertical} = 200 mm

L_{max, horizontal} = not recommended

Material:

Pipe clamp and connecting parts: Steel, HCP

Bolts and nuts: Steel, HCP

Type	Size range [mm]	B ₁ [mm]	B [mm]	W [kg]	Quantity [pack]	Part number
DN 15	16 - 22	190	85	2.17	1	110191
DN 20	23 - 27	190	92	2.18	1	110192
DN 25	30 - 34	190	100	2.21	1	110193
DN 32	39 - 44	190	112	2.29	1	110194
DN 40	44 - 49	190	117	2.27	1	110195
DN 50	57 - 61	190	139	2.49	1	110196
DN 65	73 - 77	190	156	3.97	1	110197
DN 80	85 - 89	190	168	4.09	1	110198
DN 100	109 - 116	190	194	4.67	1	110199

