

### Assembly Group BG60 T100-1/2"

Group: 1102

#### Application

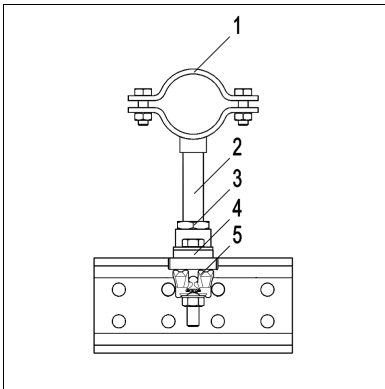
An Assembly Group containing components to make up a permanent pipe connection with the heavy Pipe Clamp Stabil I-1/2". The Assembly Group is designed for use with the Beam System 100 and steel beams up to a flange width of 100 mm. It is connected using the Assembly Set MS 5P, and the height is adjusted via the Threaded Tube 1/2".

#### Scope of delivery

Each Assembly Group is pre-assembled, packed and labeled.

#### Parts list:

- Item 1 Pipe Clamp Stabil I-1/2".  
Assembly Kit MKit T 100 1/2" consists of:
- Item 2 Threaded Tube GR 1/2" x 200
- Item 3 Locking Nut NT G 1/2"
- Item 4 Mounting Plate GPL Stabil R1/2"-100
- Item 5 Beam Clip SPA 5P AU M12 HCP  
Hexagon Bolt M12x60 HCP  
Hexagon Nut M12 HCP  
Washer HCP



#### Installation

The assembly of the individual components to form an Assembly Group is carried out during the course of pipe installation on the construction site.

#### Technical Data

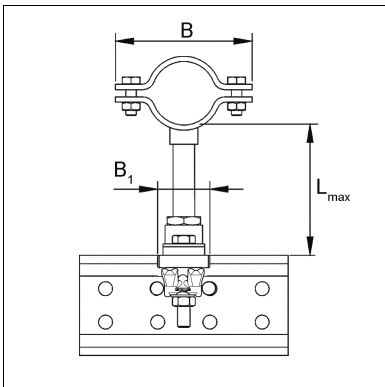
$L_{\max, \text{vertical}} = 200 \text{ mm}$

$L_{\max, \text{horizontal}} = 150 \text{ mm}$

#### Material:

Pipe clamp and connecting parts: Steel, HCP

Bolts and nuts: Steel, HCP



Type	Size range [mm]	B <sub>1</sub> [mm]	B [mm]	W [kg]	Quantity [pack]	Part number
DN 15	16 - 22	50	85	1.75	1	112724
DN 20	23 - 27	50	92	1.76	1	112725
DN 25	30 - 34	50	100	1.79	1	112726
DN 32	39 - 44	50	112	1.83	1	112727
DN 40	44 - 49	50	117	1.85	1	112728
DN 50	57 - 61	50	139	2.07	1	112729
DN 65	73 - 77	50	156	2.15	1	112730
DN 80	85 - 89	50	168	2.21	1	112731
DN 100	109 - 116	50	194	2.50	1	112732