

Assembly Group BG60 T100-1/2"

Group: 1102

Application

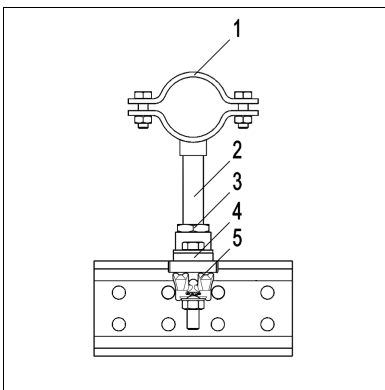
An Assembly Group containing components to make up a permanent pipe connection with the heavy Pipe Clamp Stabil I-1/2". The Assembly Group is designed for use with the Beam System 100 and steel beams up to a flange width of 100 mm. It is connected using the Assembly Set MS 5P, and the height is adjusted via the Threaded Tube 1/2".

Scope of delivery

Each Assembly Group is pre-assembled, packed and labeled.

Parts list:

- Item 1 Pipe Clamp Stabil I-1/2".
Assembly Kit MKit T 100 1/2" consists of:
- Item 2 Threaded Tube GR 1/2" x 200
- Item 3 Locking Nut NT G 1/2"
- Item 4 Mounting Plate GPL Stabil R1/2"-100
- Item 5 Beam Clip SPA 5P AU M12 HCP
Hexagon Bolt M12x60 HCP
Hexagon Nut M12 HCP
Washer HCP



Installation

The assembly of the individual components to form an Assembly Group is carried out during the course of pipe installation on the construction site.

Technical Data

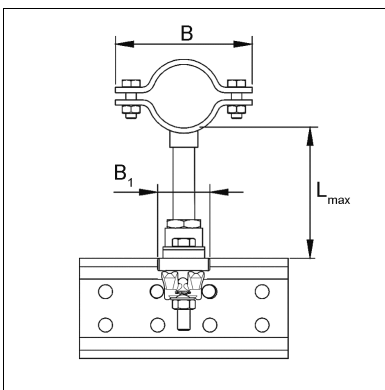
$L_{\max, \text{vertical}} = 200 \text{ mm}$

$L_{\max, \text{horizontal}} = 150 \text{ mm}$

Material:

Pipe clamp and connecting parts: Steel, HCP

Bolts and nuts: Steel, HCP



Type	Size range [mm]	B ₁ [mm]	B [mm]	W [kg]	Quantity [pack]	Part number
DN 15	16 - 22	50	85	1.75	1	112724
DN 20	23 - 27	50	92	1.76	1	112725
DN 25	30 - 34	50	100	1.79	1	112726
DN 32	39 - 44	50	112	1.83	1	112727
DN 40	44 - 49	50	117	1.85	1	112728
DN 50	57 - 61	50	139	2.07	1	112729
DN 65	73 - 77	50	156	2.15	1	112730
DN 80	85 - 89	50	168	2.21	1	112731
DN 100	109 - 116	50	194	2.50	1	112732