

Assembly Group BG50 F100- $\frac{1}{2}$ "

Group: 1102

Application

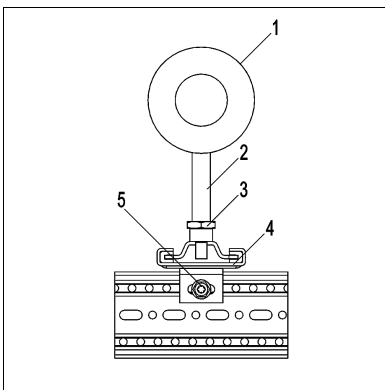
An Assembly Group for use as a guided support with the insulated Chilled Water Clamp RB for chiller plants and cool water systems. The Assembly Group is designed for use with the Beam Section TP F 100. It is connected using Self Forming Screw FLS F, and the height is adjusted via the Threaded Tube $\frac{1}{2}$ ".

Scope of delivery

Each Assembly Group is pre-assembled, packed and labeled.

Parts list:

- Item 1 Chilled Water Clamp RB
- Assembly Kit MKit FR F 100 S $\frac{1}{2}$ " consists of:
- Item 2 Threaded Tube GR $\frac{1}{2}$ " x 200
- Item 3 Locking Nut NT $\frac{1}{2}$ "
- Item 4 Slide Set GS F100 1G
- Item 5 Self Forming Screw FLS F



Installation

The assembly of the individual components to form an Assembly Group is carried out during the course of pipe installation on the construction site.

Technical Data

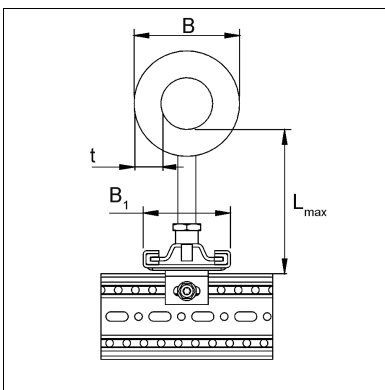
$L_{\text{max, vertical}}$ = 200 mm

$L_{\text{max, horizontal}}$ = not recommended

Material:

- Assembly parts: Steel, HCP
- Bolts and nuts: Steel, HCP
- Insulating body: PUR foam (250 kg/m³, B2) μ = 1200,
 λ = 0,045 W/mK (0°C)

Area of use: -50°C to +105°C



Type	Nominal widths [DN]	B ₁ [mm]	B [mm]	t [mm]	W [kg]	Quantity [pack]	Part number
21/30	15	102	81	30	1.90	1	113869
27/30	20	102	87	30	1.90	1	113870
33/30	25	102	93	30	1.91	1	113871
42/30	32	102	102	30	1.92	1	113872
48/30	40	102	108	30	1.92	1	113873
60/30	50	102	120	30	2.01	1	113874
76/30	65	102	136	30	2.13	1	113875
89/30	80	102	149	30	2.18	1	113876
114/40	100	102	195	40	2.76	1	113877