

Assembly Group BG49 F100-1/2"

Group: 1102

Application

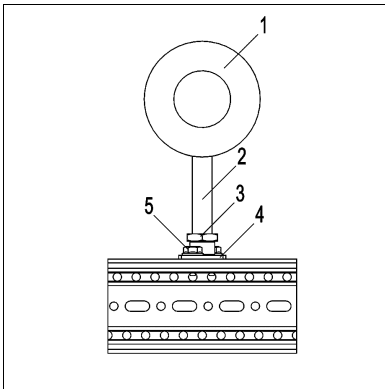
An Assembly Group containing components to make up a permanent pipe connection with the insulated Chilled Water Clamp RB for chiller plants and cool water systems. The Assembly Group is designed for use with the Beam Section TP F 100. It is connected using Self Forming Screw FLS F, and the height is adjusted via the Threaded Tube 1/2".

Scope of delivery

Each Assembly Group is pre-assembled, packed and labeled.

Parts list:

Item 1 Chilled Water Clamp RB
 Assembly Kit MKit F 100 1/2" consists of:
 Item 2 Threaded Tube GR 1/2" x 200
 Item 3 Locking Nut NT G 1/2"
 Item 4 Mounting Plate GPL F 100-1/2"
 Item 5 Self Forming Screw FLS F



Installation

The assembly of the individual components to form an Assembly Group is carried out during the course of pipe installation on the construction site.

Technical Data

L_{max, vertical} = 200 mm

L_{max, horizontal} = 150 mm

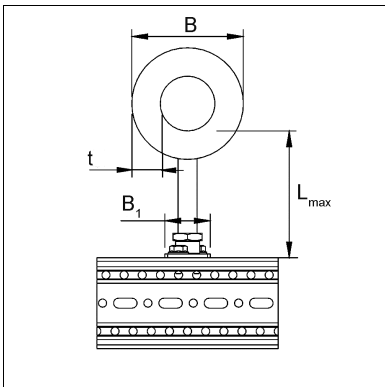
Material:

Assembly parts: Steel, HCP

Bolts and nuts: Steel, HCP

Insulating body: PUR foam (250 kg/m³, B2) μ = 1200,
 λ = 0,045 W/mK (0°C)

Area of use: -50°C to +105°C



Type	Nominal widths [DN]	B ₁ [mm]	B [mm]	t [mm]	W [kg]	Quantity [pack]	Part number
21/30	15	50	81	30	0.77	1	113860
27/30	20	50	87	30	0.77	1	113861
33/30	25	50	93	30	0.78	1	113862
42/30	32	50	102	30	0.79	1	113863
48/30	40	50	108	30	0.79	1	113864
60/30	50	50	120	30	0.88	1	113865
76/30	65	50	136	30	1.00	1	113866
89/30	80	50	149	30	1.05	1	113867
114/40	100	50	195	40	1.63	1	113868