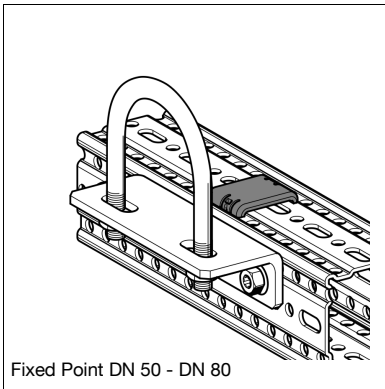
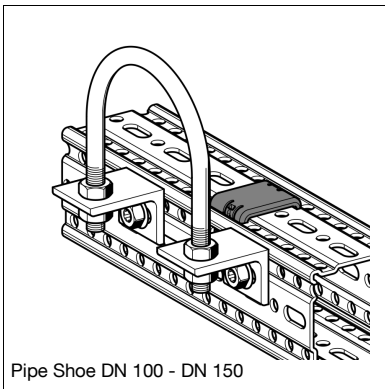


Pipe Shoe DN 15 - DN 40



Fixed Point DN 50 - DN 80



Pipe Shoe DN 100 - DN 150

Assembly Group BG22 F80

Group: 1102

Application

An Assembly Group for the fastening of pipes without complex requirements and without heat insulation. By adapting the hexagon nuts supplied, both guided supports and fixed points can be created.

Scope of delivery

Each Assembly Group is pre-assembled, packed and labeled. For U-bolts with a size of DN 100 upwards, always use two U Bolt Fastening UB Fs.

Parts list:

- Item 1 U Bolt Fastening UB F
- Item 2 Self Forming Screw FLS F
- Item 3 U Bolt RUB
- Item 4 Pad U-UB F 80

Installation

The assembly of the individual components to form an Assembly Group is carried out during the course of pipe installation on the construction site. When used as a guided support, the nuts located both above and below the UB fastening must be tightened, enabling the pipe to freely move. In the case of fixed points, the permissible forces of the structural connection and bending forces of the bolt must not be exceeded.

Technical Data

Material:

Pipe clamp and connecting parts: Steel, HCP
 Bolts and nuts: Steel, HCP
 U-UB Pad: Polyamide PA 6.0

Type	OD of pipe [mm]	B ₁ [mm]	B [mm]	W [kg]	Quantity [pack]	Part number
DN 15	21.3	85	30	0.28	1	110236
DN 20	26.9	85	40	0.32	1	110237
DN 25	33.7	85	48	0.32	1	110238
DN 32	42.4	85	56	0.34	1	110239
DN 40	48.3	85	62	0.34	1	110240
DN 50	60.3	146	76	0.94	1	110241
DN 65	76.1	146	94	0.97	1	110242
DN 80	88.9	146	106	1.00	1	110243
DN 100	114.3	181	136	1.06	1	110244
DN 125	139.7	209	164	1.14	1	110245
DN 150	168.3	237	192	1.23	1	110246

