

Assembly Group BG51 F80

Group: 1102

Application

An Assembly Group for the supporting of pipes without complex requirements and without heat insulation. This allows free sliding of the pipe in all dimensions on the Beam Section TP F 80.

Scope of delivery

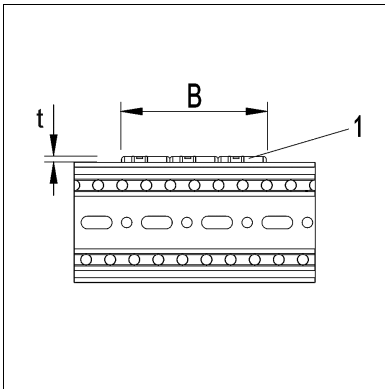
Each Assembly Group is pre-assembled, packed and labeled. An Assembly Group comprises 3 U-UB pads.

Parts list:

Item 1 Pad U-UB F 80

Installation

According to the anticipated sideways movement of the supported pipes, 1 to 3 U-UB pads should be clicked into the beam section.



Number U-UB pad	Width B [mm]	t [mm]
1	40	5
2	80	5
3	120	5

Technical Data

Material: Polyamide PA 6.0

Area of use: -20°C to +130°C

Type	Nominal widths [DN]	W [kg]	Quantity [pack]	Part number
F 80	15 - 150	0.03	1	112742

