

Assembly Group BG45 F80-1/2"

Group: 1102

Application

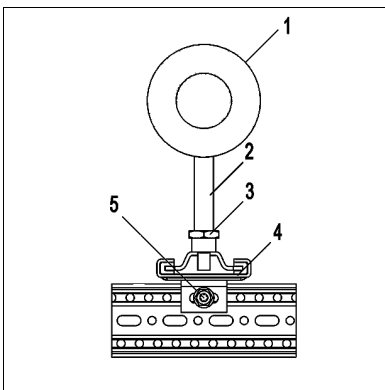
An Assembly Group for use as a guided support with the insulated Chilled Water Clamp RB for chiller plants and cool water systems. The Assembly Group is designed for use with the Beam Section TP F 80. It is connected using Self Forming Screw FLS F, and the height is adjusted via the Threaded Tube 1/2".

Scope of delivery

Each Assembly Group is pre-assembled, packed and labeled.

Parts list:

- Item 1 Chilled Water Clamp RB
- Assembly Kit MKit FR F 80 S 1/2" consists of:
- Item 2 Threaded Tube GR 1/2" x 200
- Item 3 Locking Nut NT 1/2"
- Item 4 Slide Set GS F80 1G
- Item 5 Self Forming Screw FLS F



Installation

The assembly of the individual components to form an Assembly Group is carried out during the course of pipe installation on the construction site.

Technical Data

L_{max, vertical} = 200 mm

L_{max, horizontal} = not recommended

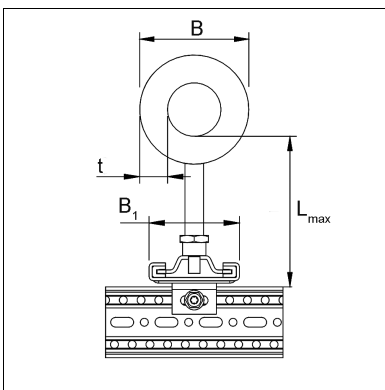
Material:

Connecting parts: Steel, HCP

Bolts and nuts: Steel, HCP

Insulating body: PUR foam (250 kg/m³, B2), μ = 1200
λ = 0,045 W/mK (0°C)

Area of use: -50°C to +105°C



Type	Nominal widths [DN]	B ₁ [mm]	B [mm]	t [mm]	W [kg]	Quantity [pack]	Part number
21/30	15	102	81	30	1.88	1	110299
27/30	20	102	87	30	1.88	1	110300
33/30	25	102	93	30	1.89	1	110301
42/30	32	102	102	30	1.90	1	110302
48/30	40	102	108	30	1.90	1	110303
60/30	50	102	120	30	1.99	1	110304
76/30	65	102	136	30	2.11	1	110305
89/30	80	102	149	30	2.16	1	110306
114/40	100	102	195	40	2.74	1	110307