

Assembly Group BG14 F80-M10

Group: 1102

Application

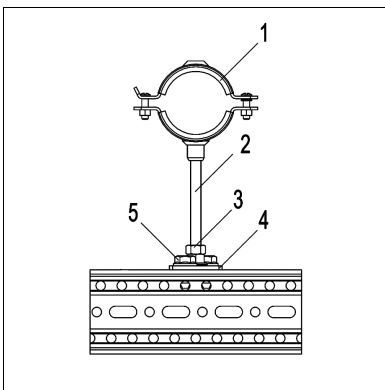
An Assembly Group containing components to make up a permanent pipe connection with the pipe clamp Stabil D-3G. The Assembly Group is designed for use with the Beam Section TP F 80. It is connected using the Self Forming Screw FLS F, and the height is adjusted via the Threaded Rod M10. The pipe clamp with sound absorption lining ensures sound absorption in accordance with DIN 4109.

Scope of delivery

Each Assembly Group is pre-assembled, packed and labeled.

Parts list:

Item 1 Pipe Clamp Stabil D-3G with lining
 Assembly Kit MKit F 80 M10 consists of:
 Item 2 Threaded Rod GST M10 x 200
 Item 3 Hexagon Nut M10
 Item 4 Mounting Plate GPL F80-M10
 Item 5 Self Forming Screw FLS F



Installation

The assembly of the individual components to form an Assembly Group is carried out during the course of pipe installation on the construction site.

Technical Data

$L_{\max, \text{vertical}} = 150 \text{ mm}$

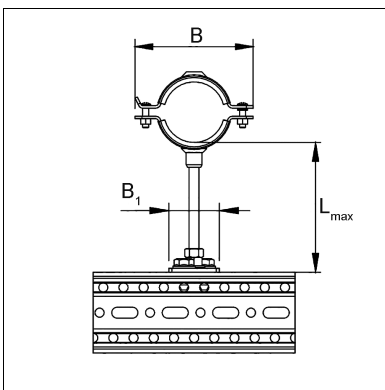
$L_{\max, \text{horizontal}} = \text{not recommended}$

Material:

Pipe clamp and connection parts: Steel, HCP

Screws and nuts: Steel, HCP

Sound absorption lining: SBR/EPDM, black, bonded in



Type	Size range [mm]	B ₁ [mm]	B [mm]	W [kg]	Quantity [pack]	Part number
DN 15	19 - 23	50	68	0.35	1	110200
DN 20	24 - 28	50	75	0.38	1	110201
DN 25	33 - 37	50	81	0.40	1	110202
DN 32	40 - 45	50	93	0.42	1	110203
DN 40	47 - 52	50	104	0.44	1	110204
DN 50	60 - 65	50	117	0.46	1	110205
DN 65	73 - 78	50	150	0.56	1	110206
DN 80	88 - 93	50	164	0.61	1	110207
DN 100	108 - 115	50	187	0.67	1	110208