

Glass Fabric Tape GSK

Group: 1291

Application

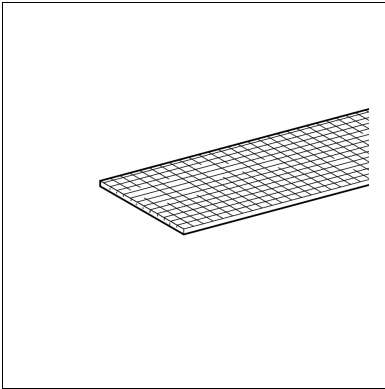
Inlay for pipe clamps for thermic and galvanic separation (prevention of contact corrosion). The Glass Fabric Tape is classified in the hydrolytic class I (best class) according to DIN 12111 regarding resistance to water. So it has an excellent resistance to acid and neutral solutions.

Scope of delivery

In rolls, self-adhesive on one side, coated with PE peel-off foil on the adhesive side.

Technical Data

Temperature range: Up to +500°C permanent exposure
 Density: 2,6 g/cm³
 Tensile strength: 3.400 - 3.700 N/mm²
 Resistant to: Oils, greases, solvents and organic acids.



Type	Width [mm]	Thickness [mm]	Roll [m]	Part number
30 x 2	30	2.0	10	114865
40 x 2	40	2.0	10	114866
50 x 2	50	2.0	10	114867
60 x 2	60	2.0	10	114868
70 x 2	70	2.0	10	114869
80 x 2	80	2.0	10	800284