

Chilled Water Clamp LKS 32

Group: 1255

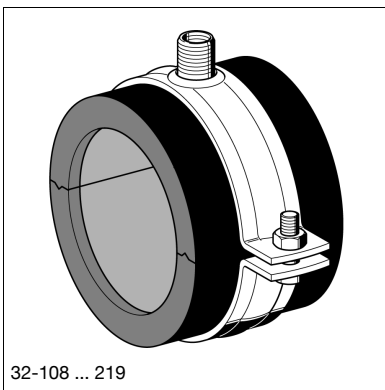
Application

Suitable for secure prevention of condensation water at the pipe support location of refrigeration and cold-water pipelines.

An optimal diffusion-tight connection with the pipe insulation is easily and safely achieved by fixing usual insulation materials to the clamp faces using adhesive. Recommended up to -0°C at normal ambient condition.

Scope of delivery

Consisting of pipe clamp and insulation insert. The one-piece insulation insert comprising two joined PUR elements forms a comprehensive connection between PUR element and pipe clamp all around the pipe. The outer edges of the PUR elements are equipped with elastomer foam and coated by a black aluminium foil.



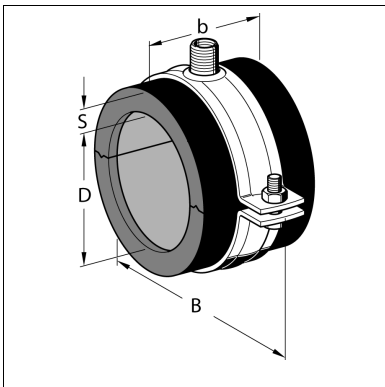
Type	Nominal thickness of the insulation [mm]	Size	Length of PUR-element b [mm]
LKS 32	32	15 - 70	50
		76 - 273	100

Technical Data

Up to type LKS 32-168 the unsupported lengths as listed in DIN 1988 may be applied.

The regulations of DIN 4140 have to be respected (an existing gap has to be sealed with sealant). Sealant DP 30/45 see Chapter "Fixed Point Packages".

Clamp material:	Steel, electro-galvanised
Insulation insert:	Free of halogens
PUR-core:	Specific gravity 80 or 120 kg/m^3
Thermal conductivity:	$\lambda = 0.024 - 0.026 \text{ W}/(\text{mK})$ at 0°C
	$\lambda = 0.038 \text{ W}/(\text{mK})$ at 10°C
	$\lambda = 0.040 \text{ W}/(\text{mK})$ at 40°C
Steam diffusion resistance factor:	$\mu \geq 7000$
Fire resistance:	E_L (DIN EN 13501-1)
Temperature range:	-40°C up to $+105^{\circ}\text{C}$
Insulation insert:	Up to 18 dB(A)
Storage temperature:	$\geq 10^{\circ}\text{C}$
Storage period:	1 year



Type	Pipe Ø D [mm]	B [mm]	Insulation thickness S [mm]	Thread connection	W [kg]	Quantity [pack]	Part number
LKS 32-15	15.0	125	31	M8/M10	0.17	24	114772
LKS 32-18	18.0	125	31	M8/M10	0.17	24	114774
LKS 32-22	22.0	134	31	M8/M10	0.18	24	114776
LKS 32-25	25.0	134	31	M8/M10	0.18	24	114777
LKS 32-28	28.0	141	31	M8/M10	0.19	24	114780
LKS 32-30	30.0	146.5	34	M8/M10	0.20	18	114781
LKS 32-35	35.0	151	34	M8/M10	0.21	18	114783
LKS 32-38	38.0	159.5	36	M8/M10	0.22	18	114784
LKS 32-42	42.0	159.5	36	M8/M10	0.23	18	114786
LKS 32-44	44.5	173	37	M8/M10	0.28	18	114788
LKS 32-48	48.3	173	37	M8/M10	0.29	18	114789
LKS 32-54	54.0	186	38	M8/M10	0.31	12	114791
LKS 32-57	57.0	186	38	M8/M10	0.31	12	114792
LKS 32-60	60.3	186	38	M8/M10	0.31	12	114793
LKS 32-64	64.0	193	39	M8/M10	0.33	10	114794
LKS 32-70	70.0	203	39	M8/M10	0.35	10	114795
LKS 32-76	76.1	215	42	M8/M10	0.50	8	114797
LKS 32-80	80.0	215	42	M8/M10	0.50	8	114798
LKS 32-89	88.9	229	42	M8/M10	0.54	6	114799
LKS 32-108	108.0	265	42	M12/M16 ¹ / ₂ "	1.25	6	114801
LKS 32-114	114.0	276	43	M12/M16 ¹ / ₂ "	1.31	6	114804
LKS 32-133	133.0	296	44	M12/M16 ¹ / ₂ "	1.44	6	114806
LKS 32-139	139.7	296	43	M12/M16 ¹ / ₂ "	1.45	6	114807
LKS 32-160	159.0	321	45	M12/M16 ¹ / ₂ "	1.58	4	114808
LKS 32-168	168.3	332	45	M12/M16 ¹ / ₂ "	1.73	4	114809
LKS 32-219	219.0	387	46	M12/M16 ¹ / ₂ "	1.93	2	114813
LKS 32-273	273.0	482	45	M16	3.53	2	114816