

### Plug-on Setting Tool ASW

Group: 8103

#### Application

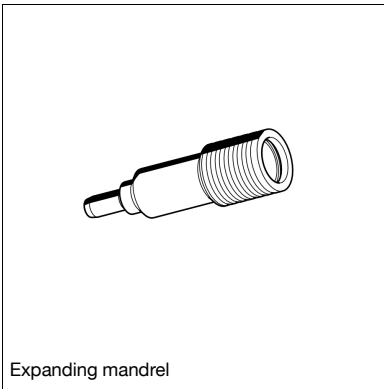
The use of the Plug-on Setting Tool facilitates the assembly of Drop-In Anchors significantly. The reduction of assembly time and of the assembly effort enables an economical installation of the anchors.

#### Scope of delivery

ASW: Expanding mandrel incl. collar drill  
 ANT BB: Collar drill

#### Technical Data

Type	Suitable for Drop-in anchor	Suitable Collar drill BB
ASW M8 x 25	AN ES M8 x 25	ANT BB 10 x 25
ASW M8 x 30	AN ES M8 x 30	ANT BB 10 x 30
ASW M8 x 40	AN ES M8 x 40	ANT BB 10 x 40
ASW M10 x 25	AN ES M10 x 25	ANT BB 12 x 25
ASW M10 x 30	AN ES M10 x 30	ANT BB 12 x 30
ASW M10 x 40	AN ES M10 x 40	ANT BB 12 x 40

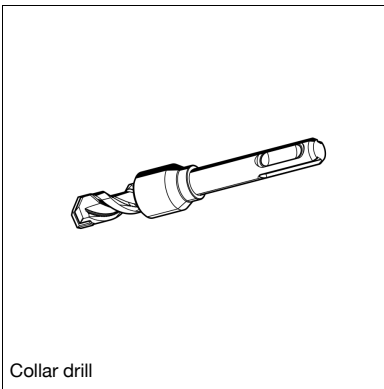


Expanding mandrel

Material:

Expanding mandrel: Steel, galvanised  
 Collar drill: Steel, hardened

<sup>1)</sup> Delivery date on request - goods are procured on an order-related basis.



Collar drill

Type	W [kg]	Quantity [pack]	Part number
ASW M8 x 25	0.20	1	<b>116636</b>
ASW M8 x 30	0.20	1	<b>116637</b>
ASW M8 x 40	0.23	1	<b>116638</b>
ASW M10 x 25	0.21	1	<b>116639</b>
ASW M10 x 30	0.21	1	<b>116640</b>
ASW M10 x 40	0.24	1	<b>116641</b>
ANT BB 10 x 25	0.11	1	<b>116666</b>
ANT BB 10 x 30	0.11	1	<b>116667</b>
ANT BB 10 x 40	0.12	1	<b>116668</b>
ANT BB 12 x 25 <sup>1)</sup>	0.12	1	<b>116669</b>
ANT BB 12 x 30 <sup>1)</sup>	0.12	1	<b>116670</b>
ANT BB 12 x 40 <sup>1)</sup>	0.12	1	<b>116671</b>