

Duo Clamp SRS with Lining

Group: 1225

Application

Two-piece pipe clamp with double thread connection (M8/M10) and sound absorption lining for the installation of pipelines. Applicable for sound-absorbed installations according to DIN 4109 specifications.

Scope of delivery

Supplied with two bolts partially mounted on one side and therefore ready for immediate installation. The clamping bolt on the open side is retained by a plastic washer, thus preventing any accidental unscrewing.

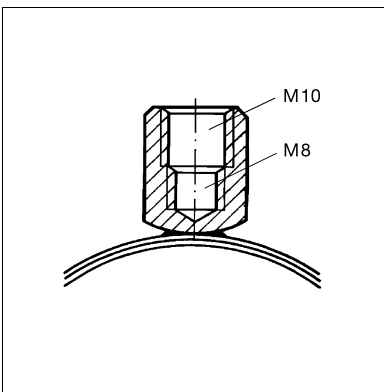
Technical Data

Size [mm]	Working load (tension)	Tightening torque [Nm]
12 - 64	0.45 kN	2
67 - 108	0.90 kN	2
110 - 219	1.00 kN	2

Material:

Clamp: Steel, electro-galvanised

Sound absorption lining: SBR/EPDM (black)



Size range [mm]	NB	Material W x th [mm]	W [kg]	Quantity [pack]	Part number
12 - 15	1/4"	20 x 1.5	0.05	100	159368
15 - 19	3/8"	20 x 1.5	0.05	100	159377
20 - 23	1/2"	20 x 1.5	0.06	100	159386
25 - 28	3/4"	20 x 1.5	0.06	100	159395
32 - 35	1"	20 x 1.5	0.07	100	159401
40 - 45	1 1/4"	20 x 1.5	0.09	50	159614
48 - 52	1 1/2"	20 x 1.5	0.09	50	159623
52 - 58		20 x 1.5	0.10	50	179003
60 - 64	2"	20 x 1.5	0.11	50	159632
67 - 72		25 x 2.0	0.19	25	179012
73 - 80	2 1/2"	25 x 2.0	0.20	25	159641
81 - 87		25 x 2.0	0.21	25	192665
86 - 91	3"	25 x 2.0	0.21	25	159650
102 - 108		25 x 2.0	0.25	25	179021
110 - 115	4"	25 x 2.5	0.30	25	159669
120 - 128		25 x 2.5	0.34	25	191459
135 - 143		25 x 2.5	0.37	25	191477
149 - 161		25 x 2.5	0.39	25	191486
162 - 170		25 x 2.5	0.40	25	191468
198 - 207		25 x 2.5	0.48	25	191495
207 - 219		25 x 2.5	0.52	20	191504