

41/41

Cantilever Bracket AK HCP

Group: 1854

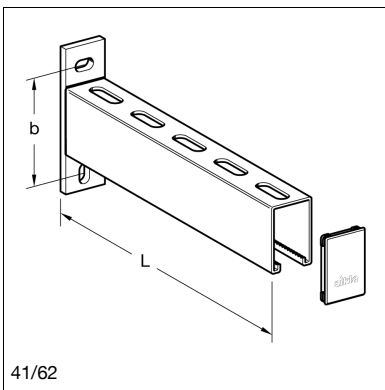
Application

Ready-to-use bracket for mounting pipes to walls or other building structures.

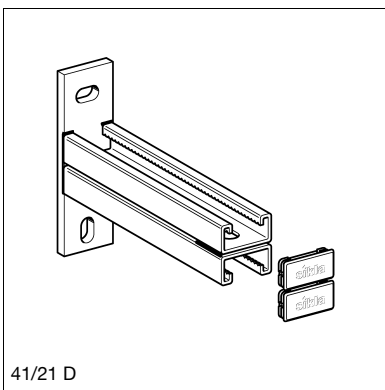
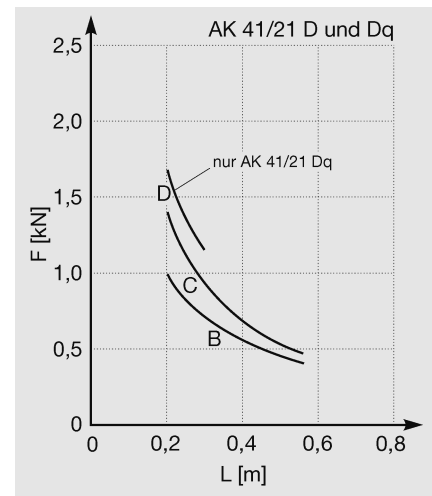
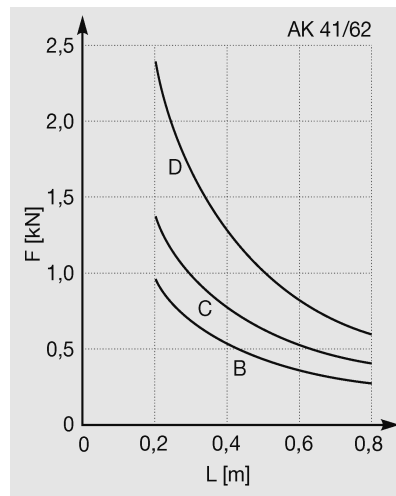
Installation

When used in combination with sliding elements, a tied rod is absolutely essential for absorbing the forces running along the centre line of the pipe. For cantilever lengths > 500 mm we recommend the integration of a prop-up.

Technical Data



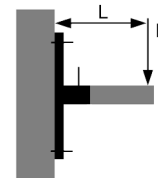
41/62



41/21 D

Anchor load classes

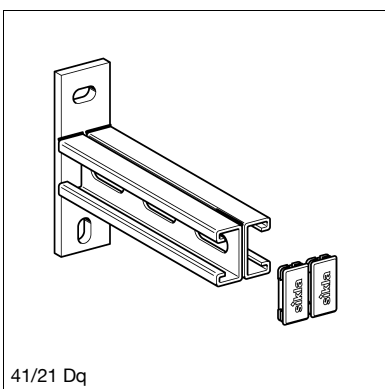
- A = 1.5 kN
- B = 2.5 kN
- C = 3.5 kN
- D = 6.0 kN



Restrictions

- $\sigma_{zul} \leq 160 \text{ N/mm}^2$
- $f_{perm} \leq L/150$ for $L > 450 \text{ mm}$
- $f_{perm} \leq 3 \text{ mm}$ for $L \leq 450 \text{ mm}$

Material: Steel, HCP



41/21 Dq

Type	L [mm]	Wall plate [mm]	b [mm]	Dimensions of elongated hole [mm]	W [kg]	Quantity [pack]	Part number
41/41 - 320	320	134 x 40 x 8	100	13 x 18	0.95	10	181667
41/41 - 570	570	134 x 40 x 8	100	13 x 18	1.50	10	181676
41/41 - 820	820	134 x 40 x 8	100	13 x 18	2.00	1	161479
41/62 - 320	320	134 x 40 x 8	100	13 x 18	1.40	10	180119
41/62 - 570	570	134 x 40 x 8	100	13 x 18	2.25	10	180128
41/62 - 820	820	134 x 40 x 8	100	13 x 18	3.05	1	180137
41/21 D - 320	320	134 x 40 x 8	100	13 x 18	1.25	10	180146
41/21 D - 570	570	134 x 40 x 8	100	13 x 18	2.25	10	180155
41/21 Dq - 320	320	134 x 40 x 8	100	13 x 18	1.20	10	180164
41/21 Dq - 570	570	134 x 40 x 8	100	13 x 18	1.95	10	190424