

100/100

### Support Bracket WK HCP

Group: 1826

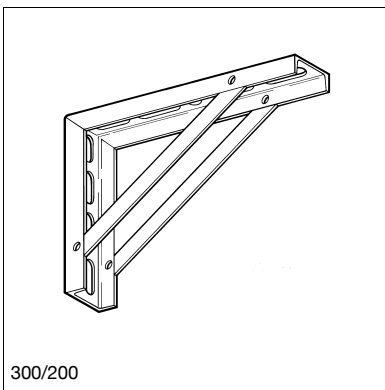
#### Application

Sikla Support Brackets may be used for wall, floor and overhead pipe installations. Depending on the site, pipes may lie on the support bracket (U-bolt), be arranged in vertical position or be suspended (Grub Screws). In combination with bolted-on channels, the support brackets offer a wide range of possibilities for cantilever arrangements. In addition, the load capacity of crossbars can be increased by fixing them onto Support Brackets.

#### Technical Data

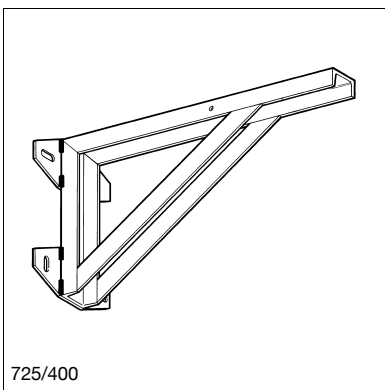
Material: Steel, HCP

For further details regarding dimensions and loads, see chapter "Brackets" (galvanised versions).

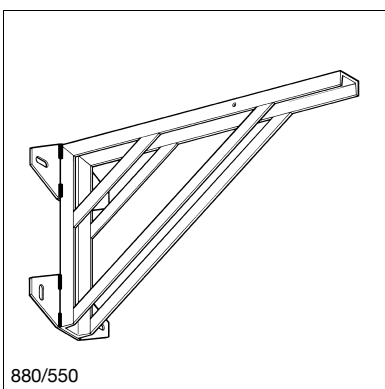


300/200

Type	Channel	W [kg]	Quantity [pack]	Part number
100/100-40	-	0.23	25	<b>163930</b>
150/150	-	0.60	25	<b>181685</b>
300/200	U 50/25	2.28	1	<b>162531</b>
550/350	U 50/25	4.62	1	<b>162610</b>
725/400	U 65/42	12.72	1	<b>151041</b>
880/550	U 65/42	18.43	1	<b>151050</b>



725/400



880/550