

41/10

Holding Bracket HK HCP

Group: 1828

Application

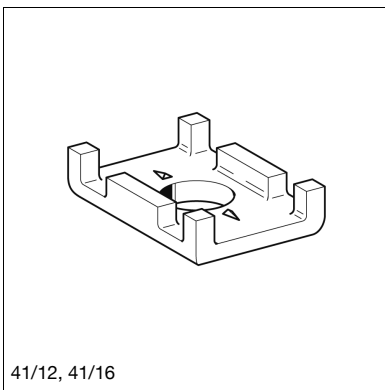
Safety element for Sikla Channels to be used instead of simple washers. The Holding Bracket prevents the edges along the opening of the channels from bending, and ensures optimum load distribution. When loads are imposed along the Channels, Holding Brackets HK 41 provide for additional safety due to embossed teeth, which penetrate the channel. Suitable for single and double channels.

Special blanking guarantee high safety and shear forces after reaching form closure, especially for bolted through connecting elements.

Technical Data

Material: Steel, HCP

Type	Suitable for Sikla channels of width [mm]	Bore [mm]	W [kg]	Quantity [pack]	Part number
41/10	41	11	0.06	50	179606
41/12	41	13	0.07	50	179615
41/16	41	17	0.07	50	179624



41/12, 41/16

