

Beam Clip P ss

Group: 1731

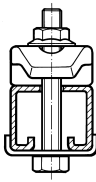
Application

Universal clamping element for bi-lateral attachment of crossbars for pipe runs, ducts, cable lines and equipment to steel beams.

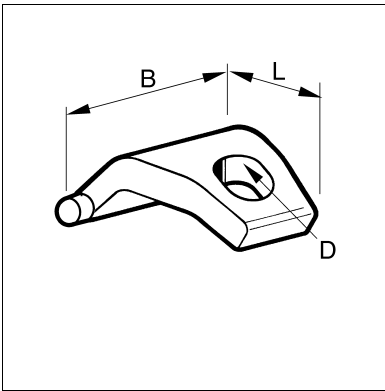
The maximum clamping range may be extended by up to 10 mm by using spacers. Any thicker spacers should be welded to the crossbar.

Installation

Determination of the required length L_{min} of the pass-through bolt:



Hexagon Bolt M12 ss

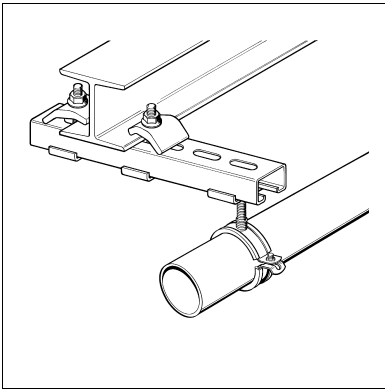
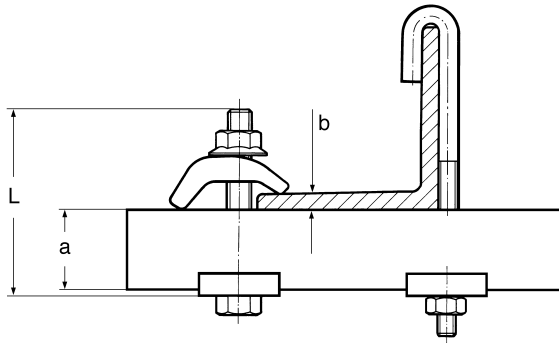


Pass-through Hexagon bolt ss and Holding Bracket ss:

$$L_{min} = a + b + 43 \text{ mm}$$

Tightening torque $\pm 10\%$

P2: 85 Nm



Technical Data

Working load: 5 kN

Material: Stainless steel A4

Type	Size range [mm]	Ø D [mm]	L [mm]	B [mm]	W [kg]	Quantity [pack]	Part number
P2	1 - 33	13	62	50	0.23	25	163435

