

Universal Joint UG ss

Group: 1742

Application

Universal connection for attachment to non-horizontal components, allowing infinitely variable angle adjustment.

May be fixed directly to the building surfaces, Beam Clamps, channels, etc. Typical uses would include easy on-site manufacture of various tie rod assemblies to support brackets, or reinforcement struts for sliding and fixed point applications:

- ◆ Infinitely variable angle adjustment
- ◆ Length and height adjustment via rotation of the grub screw in the threaded pivot head.
- ◆ Pivot head caulked, prevents from falling out.

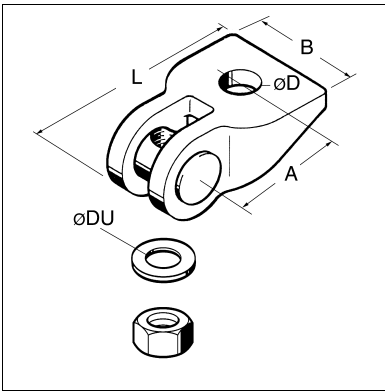
Scope of delivery

With washer and locking nut.

Installation

Screw the grub screw completely into the pivot head (visual control).

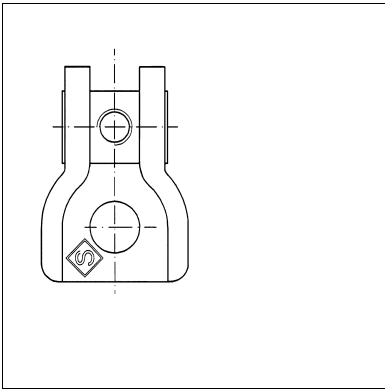
Fix the adjusted angle by tightening the supplied nut against the washer.



Technical Data

Type	Working load [kN]	Washer Ø DU [mm]	Nut
UG M8	5.8	10.5	Hexagon nut
UG M10	8.0	10.5	Hexagon nut
UG M12	13.0	16.5	Hexagon nut
UG M16	13.0	16.5	Hexagon nut

Material: Stainless steel A4



Type	Pivot head	A [mm]	B [mm]	Ø D [mm]	L [mm]	W [kg]	Quantity [pack]	Part number
UG M8	M8	26	40	12.5	51	0.09	50	171686
UG M10	M10	26	40	12.5	51	0.09	50	171695
UG M12	M12	33	50	17.0	71	0.39	25	171704
UG M16	M16	33	50	17.0	71	0.37	25	171713

